

**ALDO 6** (ALD-30261) (Version 1)



**Product description**

Without remote driver - Constant voltage (CV) 24 V - 42x110 mm - 500 mm - Class III - IK07 - RGBW



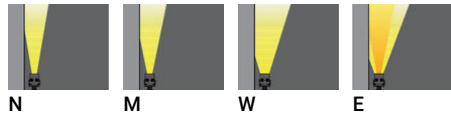
**Luminaire Structure**

- Powder coated aluminium alloy housing
- Adjustable aluminium extrusion bracket for ALD-30261, ALD-30262, ALD-30263, ALD-30264, ALD-30265, ALD-30266, ALD-30271, ALD-30272, ALD-30281, ALD-30282, ALD-30291, ALD-30292, ALD-30301, ALD-30302, ALD-30801
- Adjustable galvanised steel bracket for ALD-30241, ALD-30242, ALD-30243, ALD-30244, ALD-30251, ALD-30252, ALD-30253, ALD-30254, ALD-30255, ALD-30256
- Two cable entries for through wiring

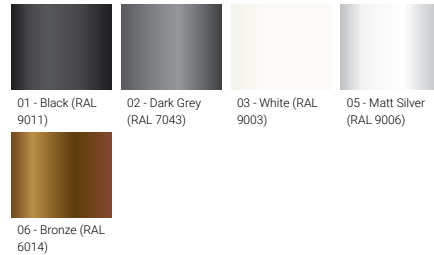
- Four IP67 connectors supplied with 2x0.2 m of 2x1.0 sqmm outdoor cable and 2x0.2 m of 2x0.5 sqmm outdoor shielded cable
- Clear toughened glass
- Remote driver (not included)
- Uniform light distribution with uninterrupted end-to-end mounting.

- For ALD-30001 not included 24 VDC input, DMXRDM address with stable signal

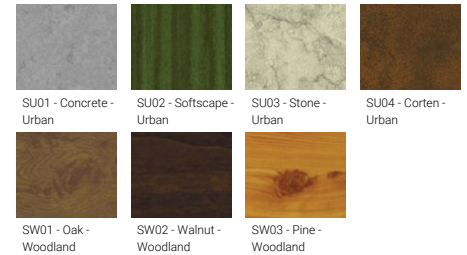
**Optic**



**Product colour**



**Special finishes upon request**



**ALDO 6** (ALD-30261) (Version 1)

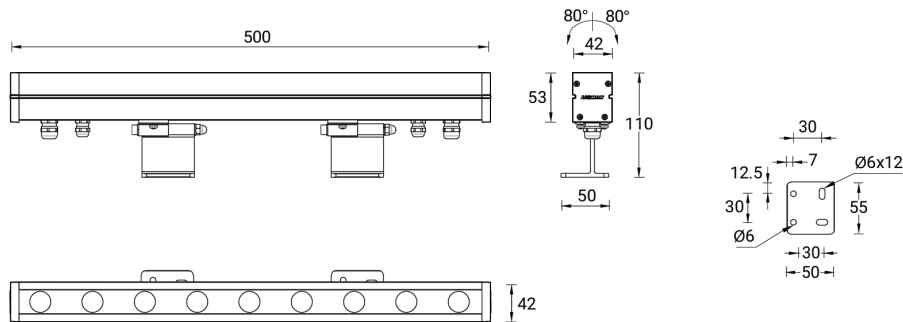
**Technical information**

<b>Material</b>	Aluminium
<b>Light source</b>	9 LED
<b>Power</b>	10 W
<b>Lumen</b>	417 - 619 lm
<b>Efficacy</b>	42 - 62 lm/W
<b>Driver option</b>	Remote driver (not included)
<b>Driver</b>	Constant voltage (CV)

<b>Input voltage</b>	24 VDC
<b>Optic</b>	N, M, W, E
<b>Optic value</b>	15°, 36°, 58°, 20°x30°
<b>CCT / CRI</b>	RGBW30, RGBW40
<b>Bug</b>	B1-U0-G0
<b>Dimming type</b>	DMX, DMX/RDM
<b>Product colours</b>	Black, Dark Grey, White, Matt Silver, Bronze, Concrete - Urban, Softscape - Urban, Stone - Urban, Corten - Urban, Oak - Woodland, Walnut - Woodland, Pine - Woodland

<b>Weight</b>	1.1 kg
<b>Operating temperature</b>	-20 °C to 40 °C
<b>Cable</b>	Four IP67 connectors supplied with 2x0.2 m of 2x1.0 sqmm outdoor cable and 2x0.2 m of 2x0.5 sqmm outdoor shielded cable
<b>Through wiring</b>	Two cable entries for through wiring
<b>Lens / Reflector / Optic</b>	Clear toughened glass
<b>MacAdam Ellipse</b>	7 SDCM
<b>Lifetime L80B50 (hours)</b>	> 50,000

ALD-30261



**Accessories**

**DMX CONTROL**

DMX Control System  
**Control-DMX**

**DMX RDM CONTROL**

DMX/RDM Control System  
**Control-DMX-RDM**

Driver (CV) - On/Off - 36 W - IP67  
- 24 V  
**A34491-ND**

Driver (CV) - On/Off - 60 W - IP67  
- 24 V  
**A34591-ND**

**ALDO 6** (ALD-30261) (Version 1)

---

Driver (CV) - On/Off - 100 W -  
IP67 - 24 V  
**A34791-ND**

---



---

Driver (CV) - On/Off - 150 W -  
IP67 - 24 V  
**A34891-ND**

---



---

Driver (CV) - On/Off - 200 W -  
IP67 - 24 V  
**A34991-ND**

---



---

Driver (CV) - On/Off - 350 W -  
IP67 - 24 V  
**A35091-ND**

---