

ALDO 7 (ALD-30281) (Version 1)



Product description

Without remote driver - Constant voltage (CV) 24 V - 50x110 mm - 500 mm - Class III - IK07 - RGBW



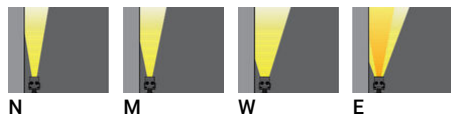
Luminaire Structure

- Powder coated aluminium alloy housing
- Adjustable aluminium extrusion bracket for ALD-30261, ALD-30262, ALD-30263, ALD-30264, ALD-30265, ALD-30266, ALD-30271, ALD-30272, ALD-30281, ALD-30282, ALD-30291, ALD-30292, ALD-30301, ALD-30302, ALD-30801
- Adjustable galvanised steel bracket for ALD-30241, ALD-30242, ALD-30243, ALD-30244, ALD-30251, ALD-30252, ALD-30253, ALD-30254, ALD-30255, ALD-30256
- Two cable entries for through wiring

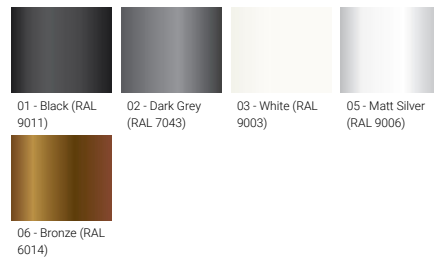
- Four IP67 connectors supplied with 2x0.2 m of 2x1.0 sqmm outdoor cable and 2x0.2 m of 2x0.5 sqmm outdoor shielded cable
- Clear toughened glass
- Remote driver (not included)
- Uniform light distribution with uninterrupted end-to-end mounting.

- For ALD-30001 not included 24 VDC input, DMXRDM address with stable signal

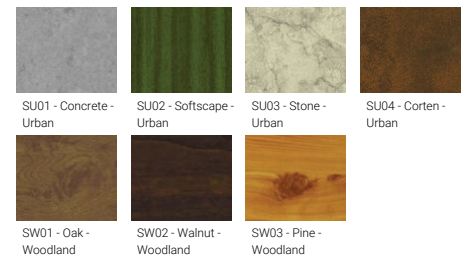
Optic



Product colour



Special finishes upon request

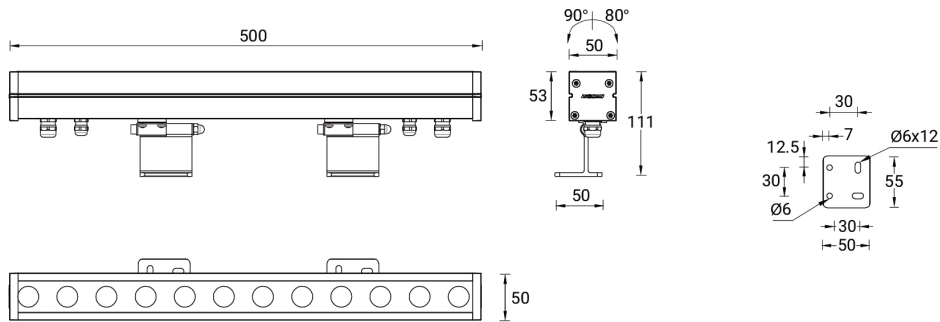


ALDO 7 (ALD-30281) (Version 1)

Technical information

Material	Aluminium	Optic	N, M, W, E	Product colours	Black, Dark Grey, White, Matt Silver, Bronze, Concrete - Urban, Softscape - Urban, Stone - Urban, Corten - Urban, Oak - Woodland, Walnut - Woodland, Pine - Woodland
Light source	12 LED	Optic value	15°, 36°, 58°, 20°x30°		
Power	24 W	CCT / CRI	RGBW30, RGBW40	Weight	1.7 kg
Lumen	938 - 1393 lm	Bug	B1-U0-G0, B2-U0-G0		
Efficacy	39 - 58 lm/W	ULR	0%	Operating temperature	-20 °C to 40 °C
Driver option	Remote driver (not included)	ULOR	0%		
Driver	Constant voltage (CV)	CIE flux code n°3	100	Cable	Four IP67 connectors supplied with 2x0.2 m of 2x1.0 sqmm outdoor cable and 2x0.2 m of 2x0.5 sqmm outdoor shielded cable
Input voltage	24 VDC	Dimming type	DMX, DMX/RDM		
				Through wiring	Two cable entries for through wiring
				Lens / Reflector / Optic	Clear toughened glass
				MacAdam Ellipse	7 SDCM
				Lifetime L80B10 (hours)	> 50,000

ALD-30281



Accessories



DMX Control System
Control-DMX



DMX/RDM Control System
Control-DMX-RDM



Driver (CV) - On/Off - 36 W - IP67
- 24 V
A34491-ND



Driver (CV) - On/Off - 60 W - IP67
- 24 V
A34591-ND

ALDO 7 (ALD-30281) (Version 1)

Driver (CV) - On/Off - 100 W -
IP67 - 24 V
A34791-ND



Driver (CV) - On/Off - 150 W -
IP67 - 24 V
A34891-ND



Driver (CV) - On/Off - 200 W -
IP67 - 24 V
A34991-ND



Driver (CV) - On/Off - 350 W -
IP67 - 24 V
A35091-ND
