

ALDO 8 (ALD-30301) (Version 1)



Product description

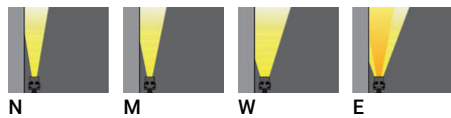
Without remote driver - Constant voltage (CV) 24 V - 80x110 mm - 500 mm - Class III - IK07 - RGBW



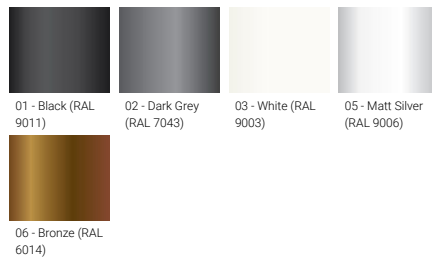
Luminaire Structure

- Powder coated aluminium alloy housing
- Adjustable aluminium extrusion bracket for ALD-30261, ALD-30262, ALD-30263, ALD-30264, ALD-30265, ALD-30266, ALD-30271, ALD-30272, ALD-30281, ALD-30282, ALD-30291, ALD-30292, ALD-30301, ALD-30302, ALD-30801
- Adjustable galvanised steel bracket for ALD-30241, ALD-30242, ALD-30243, ALD-30244, ALD-30251, ALD-30252, ALD-30253, ALD-30254, ALD-30255, ALD-30256
- Two cable entries for through wiring
- Four IP67 connectors supplied with 2x0.2 m of 2x1.0 sqmm outdoor cable and 2x0.2 m of 2x0.5 sqmm outdoor shielded cable
- Clear toughened glass
- Remote driver (not included)
- Uniform light distribution with uninterrupted end-to-end mounting.
- For ALD-30001 not included 24 VDC input, DMXRDM address with stable signal

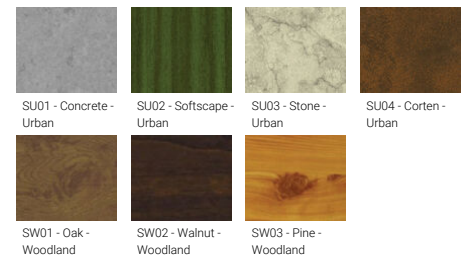
Optic



Product colour



Special finishes upon request



ALDO 8 (ALD-30301) (Version 1)

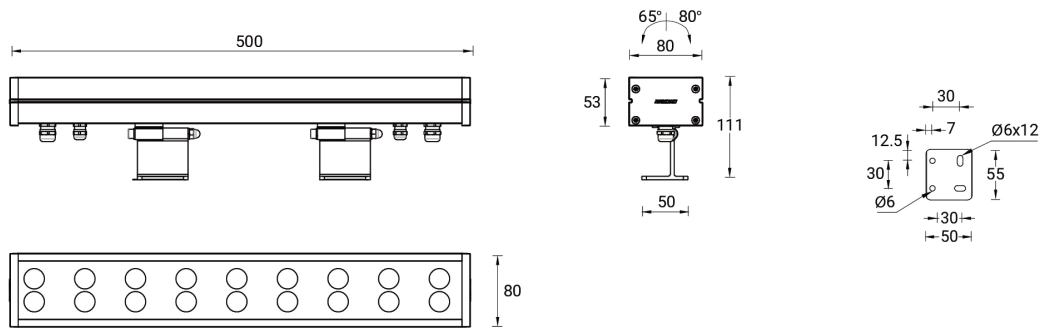
Technical information

Material	Aluminium
Light source	18 LED
Power	38 W
Lumen	1411 - 2087 lm
Efficacy	37 - 55 lm/W
Driver option	Remote driver (not included)
Driver	Constant voltage (CV)

Input voltage	24 VDC
Optic	N, M, W, E
Optic value	15°, 35°, 53°, 19°x30°
CCT / CRI	RGBW30, RGBW40
Bug	B1-U0-G0, B2-U0-G0
Dimming type	DMX, DMX/RDM
Product colours	Black, Dark Grey, White, Matt Silver, Bronze, Concrete - Urban, Softscape - Urban, Stone - Urban, Corten - Urban, Oak - Woodland, Walnut - Woodland, Pine - Woodland

Weight	1.6 kg
Operating temperature	-20 °C to 40 °C
Cable	Four IP67 connectors supplied with 2x0.2 m of 2x1.0 sqmm outdoor cable and 2x0.2 m of 2x0.5 sqmm outdoor shielded cable
Through wiring	Two cable entries for through wiring
Lens / Reflector / Optic	Clear toughened glass
MacAdam Ellipse	7 SDCM
Lifetime L80B10 (hours)	> 50,000

ALD-30301



Accessories

DMX CONTROL

DMX Control System
Control-DMX

DMX RDM CONTROL

DMX/RDM Control System
Control-DMX-RDM



Driver (CV) - On/Off - 36 W - IP67
- 24 V
A34491-ND



Driver (CV) - On/Off - 60 W - IP67
- 24 V
A34591-ND

ALDO 8 (ALD-30301) (Version 1)

Driver (CV) - On/Off - 100 W -
IP67 - 24 V
A34791-ND



Driver (CV) - On/Off - 150 W -
IP67 - 24 V
A34891-ND



Driver (CV) - On/Off - 200 W -
IP67 - 24 V
A34991-ND



Driver (CV) - On/Off - 350 W -
IP67 - 24 V
A35091-ND
