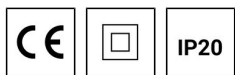
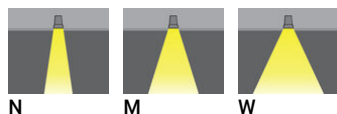


**AMOS 2 (AM-80031)****Product description**

Ø138 mm

**Luminaire Structure**

- Die-cast aluminium housing with powder coating
- Die-cast aluminium heat sink with excellent thermal management
- Aluminium reflector with white powder coating
- Remote driver is included

**Optic****N****M****W****Product colour**08 - Glossy White  
(RAL 9010)09 - Glossy Black  
(HB451022M)

## AMOS 2 (AM-80031)

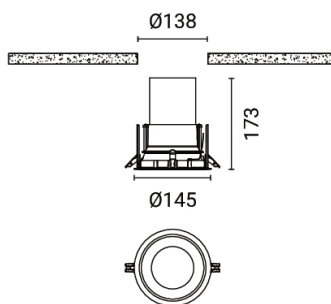
## Technical information

Material	Aluminium
Light source	12 LED
Power	20 W
Lumen	1308 - 1680 lm
Efficacy	65 - 84 lm/W
Driver option	Remote driver (included)
Driver	Constant current (CC)
Input voltage	500 mA, 36 VDC
Optic	N, M, W

Optic value	30°, 35°, 41°
CCT / CRI	3000K CRI80, 4000K CRI80
Bug	B1-U0-G0, B2-U0-G0
ULR	0%
ULOR	0%
CIE flux code n°3	99
Dimming type	On/Off, 1-10V, DALI, Trailing edge
Product colours	Glossy White, Glossy Black
Weight	0.95 kg

Operating temperature	-20 °C to 40 °C
Lens / Reflector / Optic	Aluminium reflector with white powder coating
MacAdam Ellipse	3 SDCM
Lifetime L90B10 (hours)	> 120,000
Lifetime L80B10 (hours)	> 120,000
Lifetime L80B50 (hours)	> 120,000
Compatiblity	Compatible with EN/ IEC 60598-2-22: Suitable for emergency installations as central supply, non-maintained (Z0)
Variants (1-10V, DALI)	

## AM-80031



## Accessories



DALI Control System  
Control-DALI