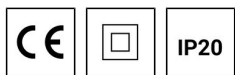
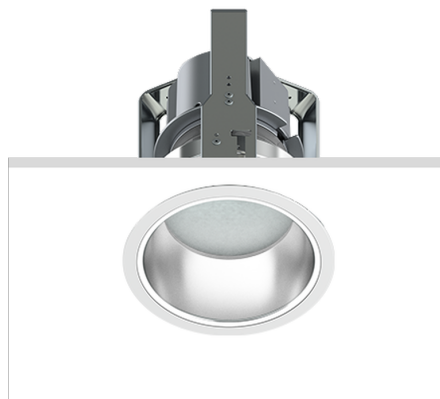
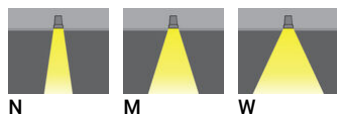


AMOS 3 (AM-80041)**Product description**

Ø160 mm

**Luminaire Structure**

- Die-cast aluminium housing with powder coating
- Die-cast aluminium heat sink with excellent thermal management
- Aluminium reflector with white powder coating
- Remote driver is included

Optic**N****M****W****Product colour**

08 - Glossy White (RAL 9010)

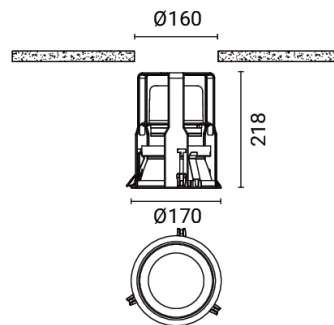
09 - Glossy Black (HB451022M)

AMOS 3 (AM-80041)

Technical information

Material	Aluminium	Input voltage	500 mA, 27 VDC	CIE flux code n°3	100, 99
Light source	18 LED	Optic	N, M, W	Dimming type	On/Off, 1-10V, DALI
Power	29 W	Optic value	26°, 32°, 41°	Product colours	Glossy White, Glossy Black
Lumen	2336 - 3009 lm	CCT / CRI	3000K CRI80, 4000K CRI80	Weight	1.59 kg
Efficacy	81 - 104 lm/W	Bug	B2-U0-G0, B3-U0-G0	Operating temperature	-20 °C to 40 °C
Driver option	Remote driver (included)	ULR	0%	Lens / Reflector / Optic	Aluminium reflector with white powder coating
Driver	Constant current (CC)	ULOR	0%	Variants (1-10V)	Compatible with EN/ IEC 60598-2-22: Suitable for emergency installations as central supply, non-maintained (Z0)

AM-80041



Accessories



DALI Control System
Control-DALI