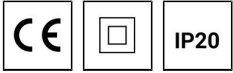
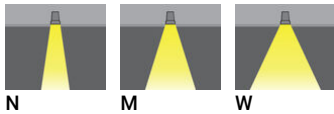


AMOS 4 (AM-80051)**Product description**

Ø203 mm

**Luminaire Structure**

- Die-cast aluminium housing with powder coating
- Die-cast aluminium heat sink with excellent thermal management
- Aluminium reflector with white powder coating
- Remote driver is included

Optic**N** **M** **W****Product colour**

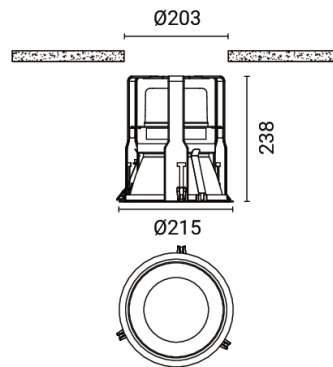
08 - Glossy White (RAL 9010) 09 - Glossy Black (HB451022M)

AMOS 4 (AM-80051)

Technical information

Material	Aluminium	Optic value	26°, 33°, 43°	Operating temperature	-20 °C to 40 °C
Light source	24 LED	CCT / CRI	3000K CRI80, 4000K CRI80	Lens / Reflector / Optic	Aluminium reflector with white powder coating
Power	39 W	Bug	B3-U0-G0	MacAdam Ellipse	3 SDCM
Lumen	3438 - 4020 lm	ULR	0%	Lifetime L90B10 (hours)	> 120,000
Efficacy	88 - 103 lm/W	ULOR	0%	Lifetime L80B10 (hours)	> 120,000
Driver option	Remote driver (included)	CIE flux code n°3	100, 99	Lifetime L80B50 (hours)	> 120,000
Driver	Constant current (CC)	Dimming type	On/Off, 1-10V, DALI	Variants (1-10V)	Compatible with EN/ IEC 60598-2-22: Suitable for emergency installations as central supply, non-maintained (Z0)
Input voltage	1050 mA, 36 VDC	Product colours	Glossy White, Glossy Black		
Optic	N, M, W	Weight	2.10 kg.		

AM-80051



Accessories



DALI Control System
Control-DALI