

**ARIZONA 2 (AR-20974-LC)**



**Product description**

Ø225 mm - Supplied with specific 3 m cylindrical, straight aluminium pole: APD130225-AR-20974 - LIGHTCONNECT™



**LIGHT  
CONNECT™**

**microVOS™**  
TECHNOLOGY



TURTLE FRIENDLY

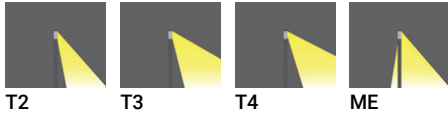
**Luminaire Structure**

- Die-cast aluminium housing
- Extruded aluminium column
- Pre-treated before powder coating ensuring high corrosion resistance
- Single cable entry
- One IP68 connector supplied with 0.2 m of 3x1.0 sqmm outdoor cable

- Stainless steel fasteners in grade 304 with zinc flake coating (ZFC)
- Durable silicone rubber gasket
- High-efficiency PMMA lens
- Clear acrylic PMMA diffuser
- Integral control gear

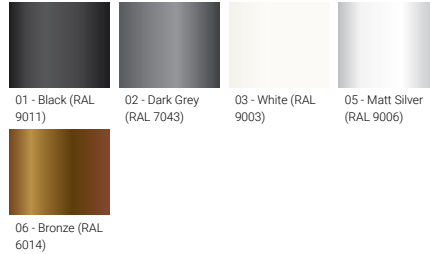
- Maximum wind load resistance is 140 km/h
- Surge protection 10kV
- For ARIZONA 8, the luminaire and the lighting pole with illuminated decorative graphic are controlled separately. Upon request, they can be controlled together by the same protocol, either DMX or DALI.

**Optic**



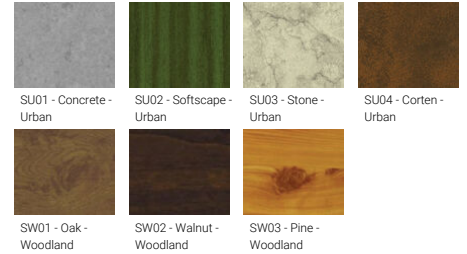
T2 T3 T4 ME

**Product colour**



01 - Black (RAL 9011) 02 - Dark Grey (RAL 7043) 03 - White (RAL 9003) 05 - Matt Silver (RAL 9006) 06 - Bronze (RAL 6014)

**Special finishes upon request**



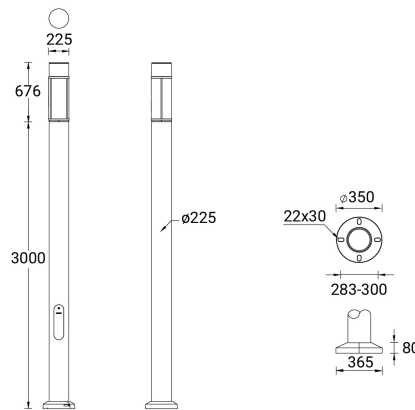
SU01 - Concrete - Urban SU02 - Softscape - Urban SU03 - Stone - Urban SU04 - Corten - Urban SW01 - Oak - Woodland SW02 - Walnut - Woodland SW03 - Pine - Woodland

**ARIZONA 2 (AR-20974-LC)**

**Technical information**

<b>Material</b>	Aluminium	<b>Optic value</b>	142°x 52°, 137°x 65°, 93°x 64°, 135°x 60°	<b>Operating temperature</b>	-20 °C to 40 °C
<b>Light source</b>	16 LED	<b>CCT / CRI</b>	3000K CRI80, 4000K CRI80	<b>Cable</b>	One IP68 connector supplied with 0.2 m of 3x1.0 sqmm outdoor cable
<b>Power</b>	35 W	<b>Bug</b>	B1-U2-G1	<b>Through wiring</b>	Single cable entry
<b>Lumen</b>	3288 - 3697 lm	<b>ULR</b>	1%	<b>Lens / Reflector / Optic</b>	High-efficiency PMMA lens, Clear acrylic PMMA diffuser
<b>Efficacy</b>	94 - 106 lm/W	<b>ULOR</b>	1%	<b>MacAdam Ellipse</b>	3 SDCM
<b>Driver option</b>	Integral control gear	<b>CIE flux code n°3</b>	97, 98	<b>Lifetime L90B10 (hours)</b>	> 90,000
<b>Driver</b>	Constant current (CC)	<b>Dimming type</b>	DALI	<b>Lifetime L80B10 (hours)</b>	> 90,000
<b>Input voltage</b>	220-240 V 50/60 Hz	<b>Product colours</b>	Black, Dark Grey, White, Matt Silver, Bronze, Concrete - Urban, Softscape - Urban, Stone - Urban, Corten - Urban, Oak - Woodland, Walnut - Woodland, Pine - Woodland	<b>Lifetime L80B50 (hours)</b>	> 90,000
<b>Optic</b>	T2, T3, T4, ME			<b>Weight</b>	34.8 kg

AR-20974



**Accessories**



**ARIZONA 2** (AR-20974-LC)



DALI Control System  
**Control-DALI**



Smart Pole Accessories  
**Accs-Smart-Pole**