

**ARDEN 1 (ARD-80014)**



**Product description**

Down - 390 mm - RGBW



**Luminaire Structure**

- Extruded aluminium bended profile with powder coating
- Stainless steel fasteners in grade 316
- Stainless steel brackets and screws for mounting
- PMMA diffuser with Opal (UGR <19) and micro prismatic (UGR <13) options for better glare control

- Up and down light distribution options
- Passive thermal management
- Integral control gear
- Wireless control available through Bluetooth connection

- Daylight and occupancy sensor options
- Emergency module (1 or 3 hours) is available upon request with 3 options (BASIC, SELF-TEST, PRO-DALI)

**Optic**



P

**Product colour**



01 - Black (RAL 9011)    03 - White (RAL 9003)    05 - Matt Silver (RAL 9006)

**Special finishes upon request**



SU01 - Concrete - Urban    SU02 - Softscape - Urban    SU03 - Stone - Urban    SU04 - Corten - Urban



SW01 - Oak - Woodland    SW02 - Walnut - Woodland    SW03 - Pine - Woodland

**ARDEN 1 (ARD-80014)**

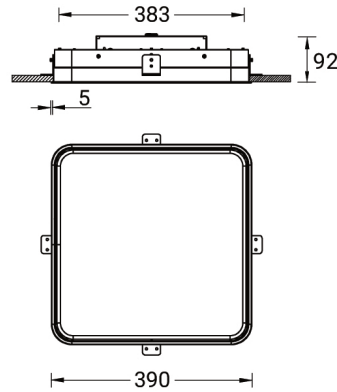
**Technical information**

|                      |                       |
|----------------------|-----------------------|
| <b>Material</b>      | Aluminium             |
| <b>Light source</b>  | 1152 LED              |
| <b>Power</b>         | 36 W                  |
| <b>Lumen</b>         | 4453 lm               |
| <b>Efficacy</b>      | 124 lm/W              |
| <b>Driver option</b> | Integral control gear |
| <b>Driver</b>        | Constant current (CC) |

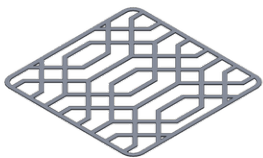
|                        |   |
|------------------------|---|
| <b>Input voltage</b>   | 220-240 V 50/60 Hz  |
| <b>Optic</b>           | O, P  |
| <b>Optic value</b>     | 108°, 93°   |
| <b>CCT / CRI</b>       | RGBW40  |
| <b>Dimming type</b>    | Bluetooth   |
| <b>Product colours</b> | Black, White, Matt Silver, Concrete - Urban, Softscape - Urban, Stone - Urban, Corten - Urban, Oak - Woodland, Walnut - Woodland, Pine - Woodland |
| <b>Weight</b>          | 3.4 kg  |

|                                 |   |
|---------------------------------|---|
| <b>Operating temperature</b>    | -20 °C to 40 °C   |
| <b>Lens / Reflector / Optic</b> | PMMA diffuser with Opal (UGR <19) and micro prismatic (UGR <13) options for better glare control                |
| <b>MacAdam Ellipse</b>          | 3 SDCM  |
| <b>Lifetime L90B10 (hours)</b>  | > 23,000  |
| <b>Lifetime L80B10 (hours)</b>  | > 45,000  |
| <b>Lifetime L80B50 (hours)</b>  | > 50,000  |
| <b>Variants (Bluetooth)</b>     | Compatible with EN/ IEC 60598-2-22: Suitable for emergency installations as central supply, non-maintained (ZO) |

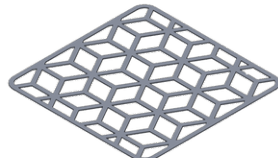
ARD-80014



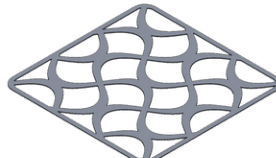
**Accessories**



Decorative pattern - Type A for ARDEN 400 mm  
**A91521**



Decorative pattern - Type B for ARDEN 400 mm  
**A92921**



Decorative pattern - Type C for ARDEN for ARDEN 400 mm  
**A94321**



Xpress wireless switch  
**A90591**

**ARDEN 1** (ARD-80014)



DALI Control System  
**Control-DALI**

---