

ARDEN 3 (ARD-80234)



Product description

Down - 595 mm - RGBW



Luminaire Structure

- Extruded aluminium bended square profile with powder coating
- Stainless steel fasteners in grade 316
- PMMA diffuser with Opal (UGR <19) and micro prismatic (UGR <13) options for better glare control

- Down light distribution only
- Passive thermal management
- Integral control gear

- Remote driver is included if dimming options require
- Wireless control available through Bluetooth connection
- Emergency module (1 or 3 hours) is available upon request with 3 options (BASIC, SELF-TEST, PRO-DALI)

Optic



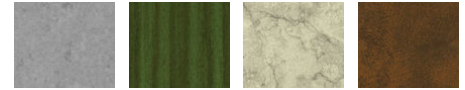
P

Product colour



01 - Black (RAL 9011) 03 - White (RAL 9003) 05 - Matt Silver (RAL 9006)

Special finishes upon request



SU01 - Concrete - Urban SU02 - Softscape - Urban SU03 - Stone - Urban SU04 - Corten - Urban



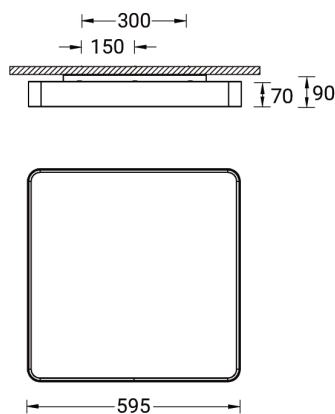
SW01 - Oak - Woodland SW02 - Walnut - Woodland SW03 - Pine - Woodland

ARDEN 3 (ARD-80234)

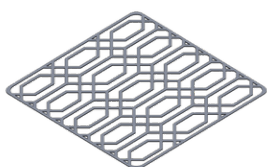
Technical information

Material	Aluminium	Driver	Constant current (CC)	Product colours	Black, White, Matt Silver, Concrete - Urban, Softscape - Urban, Stone - Urban, Corten - Urban, Oak - Woodland, Walnut - Woodland, Pine - Woodland
Light source	2688 LED	Input voltage	220-240 V 50/60 Hz	Weight	7.4 kg
Power	84 W	Optic	0, P	Operating temperature	-20 °C to 40 °C
Lumen	2541 lm	Optic value	108°, 93°	Lens / Reflector / Optic	PMMA diffuser with Opal (UGR <19) and micro prismatic (UGR <13) options for better glare control
Efficacy	30 lm/W	CCT / CRI	RGBW40	Variants (Bluetooth)	Compatible with EN/ IEC 60598-2-22: Suitable for emergency installations as central supply, non-maintained (Z0)
Driver option	Integral control gear	Dimming type	Bluetooth		

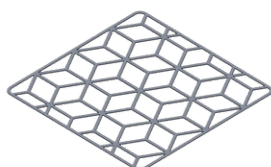
ARD-80234



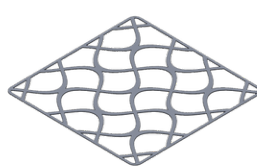
Accessories



Decorative pattern - Type A for ARDEN 600 mm.
A91721



Decorative pattern - Type B for ARDEN 600 mm
A93121



Decorative pattern - Type C for ARDEN for ARDEN 600 mm
A94521



Wireless bluetooth converter
A90291

ARDEN 3 (ARD-80234)



Xpress wireless switch
A90591



Recessing box
A61051



DALI Control System
Control-DALI