

ARDEN 4 (ARD-90145)



Product description

Down (Optic) & Up (Optic 2nd) - 880 mm- RGBW DMX



Luminaire Structure

- Extruded aluminium bended profile with powder coating
- Stainless steel fasteners in grade 316
- Stainless steel, adjustable, suspension (1.5 m) complete with electrical wires in white for mounting
- PMMA diffuser with Opal (UGR <19) and micro prismatic (UGR <13) options for better glare control

- Up and down light distribution options
- Passive thermal management
- Integral control gear
- Wireless control available through Bluetooth connection

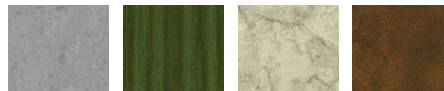
- Daylight and occupancy sensor options
- Emergency module (1 or 3 hours) is available upon request with 3 options (BASIC, SELF-TEST, PRO-DALI)

Product colour



01 - Black (RAL 9011) 03 - White (RAL 9003) 05 - Matt Silver (RAL 9006)

Special finishes upon request



SU01 - Concrete - Urban SU02 - Softscape - Urban SU03 - Stone - Urban SU04 - Corten - Urban



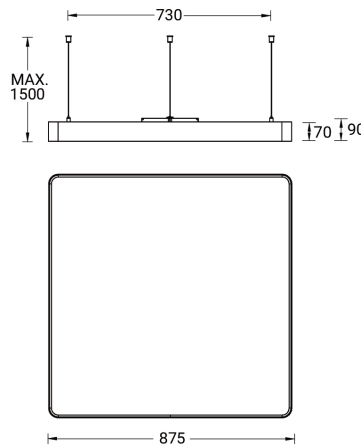
SW01 - Oak - Woodland SW02 - Walnut - Woodland SW03 - Pine - Woodland

ARDEN 4 (ARD-90145)

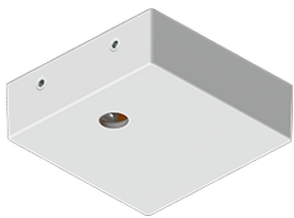
Technical information

Material	Aluminium	Input voltage	220-240 V 50/60 Hz	Dimming type	DMX, DMX/RDM
Light source	6048 & 1536 LED	Optic	O, P	Product colours	Black, White, Matt Silver, Concrete - Urban, Softscape - Urban, Stone - Urban, Corten - Urban, Oak - Woodland, Walnut - Woodland, Pine - Woodland
Power	237 W	Optic value	107°, 93°		
Lumen	7924 lm	Optic (2nd)	0	Weight	12.5 kg
Driver option	Integral control gear	Optic (2nd) value	105°		
Driver	Constant current (CC)	CCT / CRI	RGBW30, RGBW40	Operating temperature	-20 °C to 40 °C
				Lens / Reflector / Optic	PMMA diffuser with Opal (UGR <19) and micro prismatic (UGR <13) options for better glare control
				Variants (DMX/RDM)	Compatible with EN/ IEC 60598-2-22: Suitable for emergency installations as central supply, non-maintained (Z0)

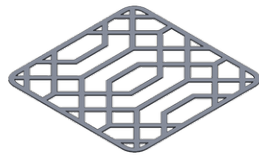
ARD-90145



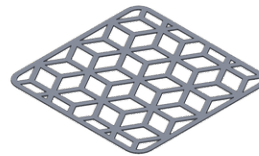
Accessories



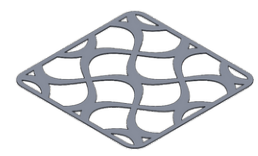
Supply cable surface mounting box
A80981



Decorative pattern - Type A for ARDEN 300 mm
A91421



Decorative pattern - Type B for ARDEN 300 mm
A92821



Decorative pattern - Type C for ARDEN for ARDEN 300 mm
A94221

ARDEN 4 (ARD-90145)



Recessing box
A61051



DMX Control System
Control-DMX



DMX/RDM Control System
Control-DMX-RDM