

AUSTIN 1 (AU-30601)



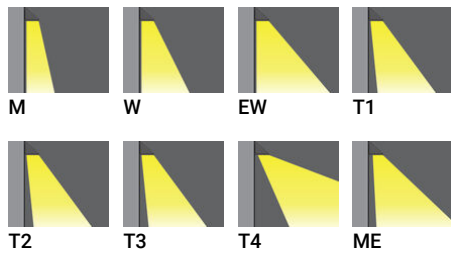
Luminaire Structure

- Die-cast aluminium housing and frame
- Pre-treated before powder coating ensuring high corrosion resistance
- Two cable entries for through wiring

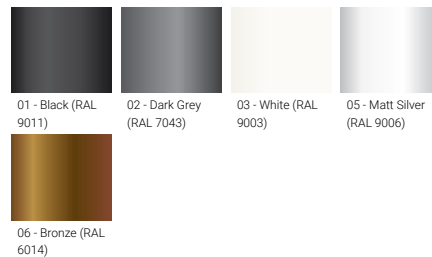
- Stainless steel fasteners in grade 304 with zinc flake coating (ZFC)
- Durable silicone rubber gasket
- High-efficiency PMMA lens

- Clear toughened glass
- Integral control gear

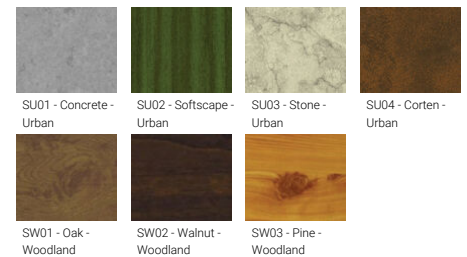
Optic



Product colour



Special finishes upon request



AUSTIN 1 (AU-30601)

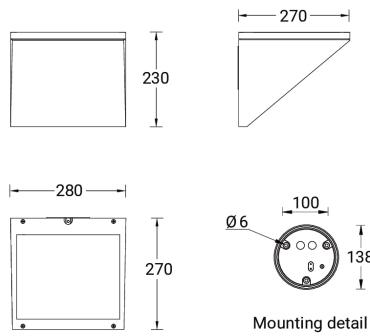
Technical information

| | |
|----------------------|------------------------------|
| Material | Aluminium |
| Light source | 24 LED |
| Power | 37 W |
| Lumen | 4454 - 5121 lm |
| Efficacy | 120 - 138 lm/W |
| Driver option | Integral control gear |
| Driver | Constant current (CC) |
| Input voltage | 220-240 V 50/60 Hz |
| Optic | M, W, EW, T1, T2, T3, T4, ME |

| | |
|--------------------------|--|
| Optic value | 30°, 56°, 112°, 145°x75°, 136°x58°, 123°x93°, 105°x69°, 140°x63° |
| CCT / CRI | 3000K CRI80, 4000K CRI80 |
| Bug | B1-U0-G1, B2-U0-G0, B2-U0-G2, B3-U0-G0, B3-U0-G1 |
| ULR | 0% |
| ULOR | 0% |
| CIE flux code n°3 | 96, 97, 98, 99 |
| Dimming type | On/Off, 1-10V, DALI |
| Product colours | Black, Dark Grey, White, Matt Silver, Bronze, Concrete - Urban, Softscape - Urban, Stone - Urban, Corten - Urban, Oak - Woodland, Walnut - Woodland, Pine - Woodland |
| Weight | 5.9 kg |

| | |
|---------------------------------------|---|
| Operating temperature | -20 °C to 40 °C |
| Through wiring | Two cable entries for through wiring |
| Lens / Reflector / Optic | High-efficiency PMMA lens, Clear toughened glass |
| MacAdam Ellipse | 3 SDCM |
| Lifetime L90B10 (hours) | > 90,000 |
| Lifetime L80B10 (hours) | > 90,000 |
| Lifetime L80B50 (hours) | > 90,000 |
| Variants (On/Off, 1-10V, DALI) | Compatible with EN/ IEC 60598-2-22: Suitable for emergency installations as central supply, non-maintained (Z0) |

AUSTIN
AU-30601



Accessories

