

**BENTON 5 (BE-20021)**



**Product description**

Ø225 mm - 1 projector - Supplied with specific 4.5 m cylindrical, straight aluminium pole: APD125225-BE-20021



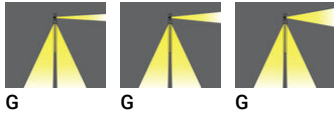
**Luminaire Structure**

- Die-cast aluminium housing
- Extruded aluminium column
- Pre-treated before powder coating ensuring high corrosion resistance
- Single cable entry
- One IP68 connector supplied with 0.2 m of 3x1.0 sqmm outdoor cable

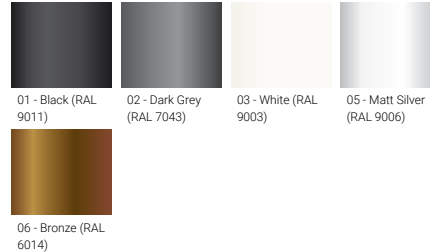
- Stainless steel fasteners in grade 304 with zinc flake coating (ZFC)
- Durable silicone rubber gasket
- Clear toughened glass
- High-efficiency optical reflector
- Integral control gear

- Maximum wind load resistance is 160 km/h
- Surge protection 10kV
- BENTON luminaires with projectors on top and colder than 3000K CCT do not meet the IDA certification requirements
- BENTON 3 and 11 are not available in European Union

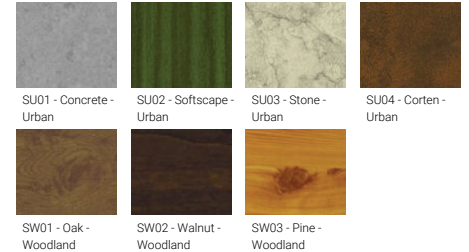
**Optic**



**Product colour**



**Special finishes upon request**



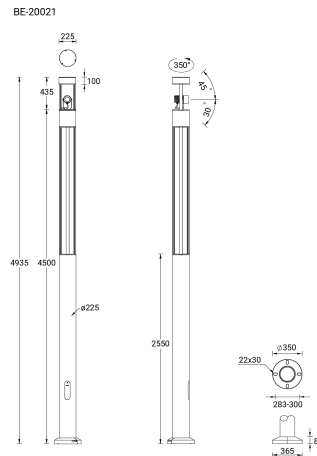
**BENTON 5 (BE-20021)**

**Technical information**

|                      |                        |
|----------------------|------------------------|
| <b>Material</b>      | Aluminium              |
| <b>Light source</b>  | 1 & 1 COB (Projectors) |
| <b>Power</b>         | 61 W                   |
| <b>Lumen</b>         | 4111 - 4177 lm         |
| <b>Efficacy</b>      | 67 - 68 lm/W           |
| <b>Driver option</b> | Integral control gear  |
| <b>Driver</b>        | Constant current (CC)  |
| <b>Input voltage</b> | 220-240 V 50/60 Hz     |
| <b>Optic</b>         | G                      |

|                          |  |
|--------------------------|--|
| <b>Optic value</b>       | 65°  |
| <b>CCT / CRI</b>         | 3000K CRI80, 4000K CRI80   |
| <b>Bug</b>               | B2-U0-G0   |
| <b>ULR</b>               | 0%   |
| <b>ULOR</b>              | 0%   |
| <b>CIE flux code n°3</b> | 100  |
| <b>Dimming type</b>      | On/Off, 1-10V, DALI  |
| <b>Product colours</b>   | Black, Dark Grey, White, Matt Silver, Bronze, Concrete - Urban, Softscape - Urban, Stone - Urban, Corten - Urban, Oak - Woodland, Walnut - Woodland, Pine - Woodland |
| <b>Weight</b>            | 37.4 kg  |

|                                       |   |
|---------------------------------------|---|
| <b>Operating temperature</b>          | -20 °C to 40 °C   |
| <b>Cable</b>                          | One IP68 connector supplied with 0.2 m of 3x1.0 sqmm outdoor cable  |
| <b>Through wiring</b>                 | Single cable entry  |
| <b>Lens / Reflector / Optic</b>       | Clear toughened glass, High-efficiency optical reflector  |
| <b>MacAdam Ellipse</b>                | 3 SDCM  |
| <b>Lifetime L90B10 (hours)</b>        | > 50,700  |
| <b>Lifetime L80B10 (hours)</b>        | > 63,500  |
| <b>Lifetime L80B50 (hours)</b>        | > 63,500  |
| <b>Variants (On/Off, 1-10V, DALI)</b> | Compatible with EN/ IEC 60598-2-22: Suitable for emergency installations as central supply, non-maintained (ZO) |



**Accessories**



Circuit breaker box IP44  
**A21291**



Root mount kit  
**A20791**



4.5 m - Cylindrical, straight aluminium pole for BENTON  
**APD125225-BE-20021**



DALI Control System  
**Control-DALI**