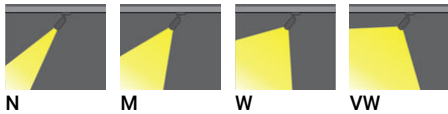
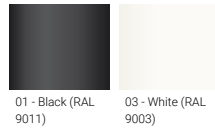


**BELIZE 2** (BEZ-80011)**Product description**

Ø74 - 256 mm

**Luminaire Structure**

- Extruded aluminium housing with powder coating
- Adjustable: Tilt 180°, Rotation 360°
- High-efficiency optical reflector or high-efficiency polycarbonate lens
- Integral control gear
- With 3-phase universal adapter

**Optic****Product colour**

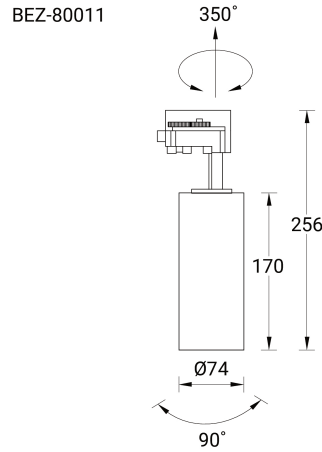
**BELIZE 2 (BEZ-80011)**

**Technical information**

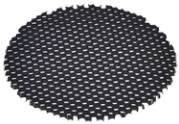
<b>Material</b>	Aluminium
<b>Light source</b>	1 COB
<b>Power</b>	21 W
<b>Lumen</b>	1549 - 1723 lm
<b>Efficacy</b>	74 - 82 lm/W
<b>Driver option</b>	Integral control gear

<b>Driver</b>	Constant current (CC)
<b>Input voltage</b>	220-240 V 50/60 Hz
<b>Optic</b>	N, M, W, VW
<b>Optic value</b>	18°, 34°, 56°, 61°
<b>CCT / CRI</b>	3000K CRI80, 4000K CRI80
<b>Dimming type</b>	On/Off, DALI

<b>Product colours</b>	Black, White
<b>Weight</b>	0.45 kg
<b>Operating temperature</b>	-20 °C to 50 °C
<b>Lens / Reflector / Optic</b>	High-efficiency optical reflector or high-efficiency polycarbonate lens



**Accessories**



Honeycomb louvre  
**A80116**



Surface mounted track adapter -  
Black DA  
**A80119**



Surface mounted track adapter -  
White DA  
**A80120**



Surface mounted track adapter -  
Black ND  
**A80122**



Surface mounted track adapter -  
White ND  
**A80123**