

BILLUND 5 (BIU-90017)



Product description

Medium - with CLO & Night dimming



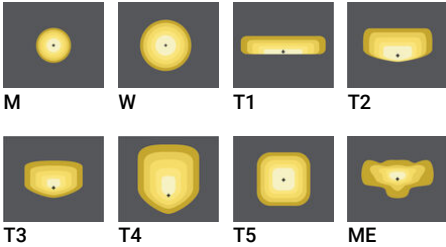
Luminaire Structure

- Die-cast aluminium housing
- Pre-treated before powder coating ensuring high corrosion resistance
- Thermal heat dissipation body
- Single cable entry
- One IP68 connector supplied with 0.3 m of 3x1.0 sqmm outdoor cable

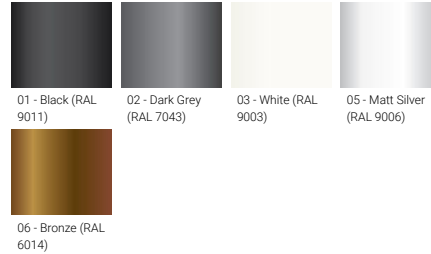
- Stainless steel fasteners in grade 304 with zinc flake coating (ZFC)
- Durable silicone rubber gasket
- Clear toughened glass
- High-efficiency polycarbonate lens
- Integral control gear

- Surge protection 10kV
- Constant lumen output (CLO) and Night-time dimming options

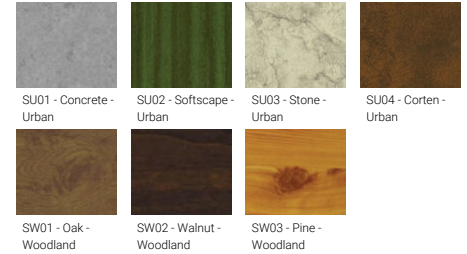
Optic



Product colour



Special finishes upon request

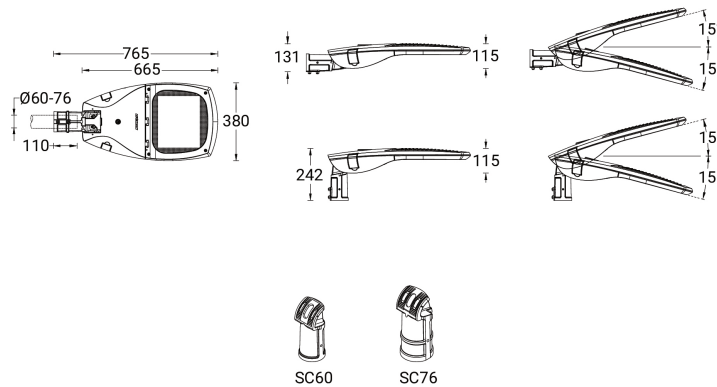


BILLUND 5 (BIU-90017)

Technical information

Material	Aluminium	Optic value	23°, 50°, 144°x67°, 141°x48°, 142°x75°, 100°x76°, 105°, 137°x43°	Cable	One IP68 connector supplied with 0.3 m of 3x1.0 sqmm outdoor cable
Light source	48 LED	CCT / CRI	3000K CRI80, 4000K CRI80	Through wiring	Single cable entry
Power	107 W	Bug	B2-U0-G2, B3-U0-G1, B3-U0-G3, B4-U0-G0, B4-U0-G1	Lens / Reflector / Optic	Clear toughened glass, High-efficiency polycarbonate lens
Lumen	10368 - 12138 lm	ULR	0%	MacAdam Ellipse	3 SDCM
Efficacy	97 - 113 lm/W	ULOR	0%	Lifetime L90B10 (hours)	> 120,000
Driver option	Integral control gear	CIE flux code n°3	96, 97, 98, 99	Lifetime L80B10 (hours)	> 120,000
Driver	Constant current (CC)	Dimming type	On/Off, 1-10V, DALI, CLO with DALI, CLO with Night dimming 1	Lifetime L80B50 (hours)	> 120,000
Input voltage	220-240 V 50/60 Hz	Product colours	Black, Dark Grey, White, Matt Silver, Bronze, Concrete - Urban, Softscape - Urban, Stone - Urban, Corten - Urban, Oak - Woodland, Walnut - Woodland, Pine - Woodland	Variants (On/Off, 1-10V, DALI, CLO with DALI, CLO with Night dimming 1)	Compatible with EN/ IEC 60598-2-22: Suitable for emergency installations as central supply, non-maintained (Z0)
Optic	M, W, T1, T2, T3, T4, T5, ME	Operating temperature	-20 °C to 40 °C		

BIU-90017



Accessories

