

**BILLUND 3** (BIU-90022-LC)



**Product description**

Large - LIGHTCONNECT™



**Luminaire Structure**

- Die-cast aluminium housing
- Pre-treated before powder coating ensuring high corrosion resistance
- Thermal heat dissipation body
- Single cable entry
- One IP68 connector supplied with 0.3 m of 3x1.0 sqmm outdoor cable
- Stainless steel fasteners in grade 304 with zinc flake coating (ZFC)
- Durable silicone rubber gasket
- Clear toughened glass
- High-efficiency polycarbonate lens
- Integral control gear
- Surge protection 10kV
- Constant lumen output (CLO) and Night-time dimming options

**Optic**



T1

T2

T3

T4



T5

**Product colour**



01 - Black (RAL 9011)

02 - Dark Grey (RAL 7043)

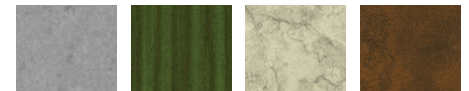
03 - White (RAL 9003)

05 - Matt Silver (RAL 9006)



06 - Bronze (RAL 6014)

**Special finishes upon request**



SU01 - Concrete - Urban

SU02 - Softscape - Urban

SU03 - Stone - Urban

SU04 - Corten - Urban



SW01 - Oak - Woodland



SW02 - Walnut - Woodland



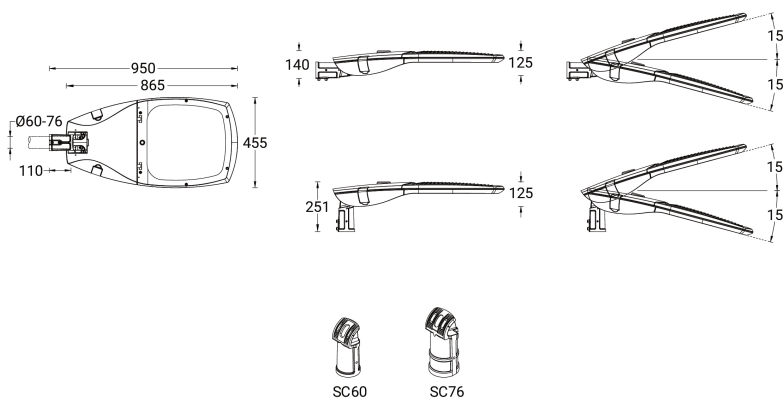
SW03 - Pine - Woodland

**BILLUND 3 (BIU-90022-LC)**

**Technical information**

<b>Material</b>	Aluminium	<b>Optic</b>	T1, T2, T3, T4, T5	<b>Product colours</b>	Black, Dark Grey, White, Matt Silver, Bronze, Concrete - Urban, Softscape - Urban, Stone - Urban, Corten - Urban, Oak - Woodland, Walnut - Woodland, Pine - Woodland
<b>Light source</b>	96 LED	<b>Optic value</b>	146°x100°, 138°x125°, 140°x63°, 133°x66°, 111°x65°, 92°x121°	<b>Weight</b>	14.3 kg
<b>Power</b>	174 W	<b>CCT / CRI</b>	3000K CRI70, 4000K CRI70	<b>Operating temperature</b>	-20 °C to 40 °C
<b>Lumen</b>	21118 - 26426 lm	<b>Bug</b>	B3-U0-G3, B4-U0-G4, B5-U0-G1	<b>Cable</b>	One IP68 connector supplied with 0.3 m of 3x1.0 sqmm outdoor cable
<b>Efficacy</b>	121 - 152 lm/W	<b>ULR</b>	0%	<b>Through wiring</b>	Single cable entry
<b>Driver option</b>	Integral control gear	<b>ULOR</b>	0%	<b>Lens / Reflector / Optic</b>	Clear toughened glass, High-efficiency polycarbonate lens
<b>Driver</b>	Constant current (CC)	<b>CIE flux code n°3</b>	100, 95, 96, 97, 98	<b>Variants (DALI)</b>	Compatible with EN/ IEC 60598-2-22: Suitable for emergency installations as central supply, non-maintained (Z0)
<b>Input voltage</b>	220-240 V 50/60 Hz	<b>Dimming type</b>	DALI		

BIU-90022



**Accessories**



NEMA 7 socket  
**A90891**



Zhaga Book 18 socket (Up)  
**A90991-U**



Motion sensor - PIR - DALI - Up to 3 m  
**A91691-L2**



Motion sensor - PIR - DALI - Up to 12 m  
**A91691-L7**

**BILLUND 3** (BIU-90022-LC)



Zhaga Book 18 socket (Down)  
**A90991-D**



DALI Control System  
**Control-DALI**