

BILLUND 3 (BIU-90025-LC)



Product description

Large - LIGHTCONNECT™



Luminaire Structure

- Die-cast aluminium housing
- Pre-treated before powder coating ensuring high corrosion resistance
- Thermal heat dissipation body
- Single cable entry
- One IP68 connector supplied with 0.3 m of 3x1.0 sqmm outdoor cable

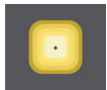
- Stainless steel fasteners in grade 304 with zinc flake coating (ZFC)
- Durable silicone rubber gasket
- Clear toughened glass
- High-efficiency polycarbonate lens
- Integral control gear

- Surge protection 10kV
- Constant lumen output (CLO) and Night-time dimming options

Optic



T1 T2 T3 T4



T5

Product colour

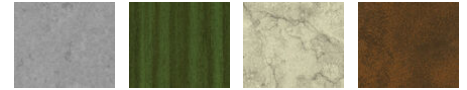


01 - Black (RAL 9011) 02 - Dark Grey (RAL 7043) 03 - White (RAL 9003) 05 - Matt Silver (RAL 9006)



06 - Bronze (RAL 6014)

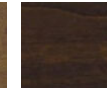
Special finishes upon request



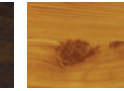
SU01 - Concrete - Urban SU02 - Softscape - Urban SU03 - Stone - Urban SU04 - Corten - Urban



SW01 - Oak - Woodland



SW02 - Walnut - Woodland



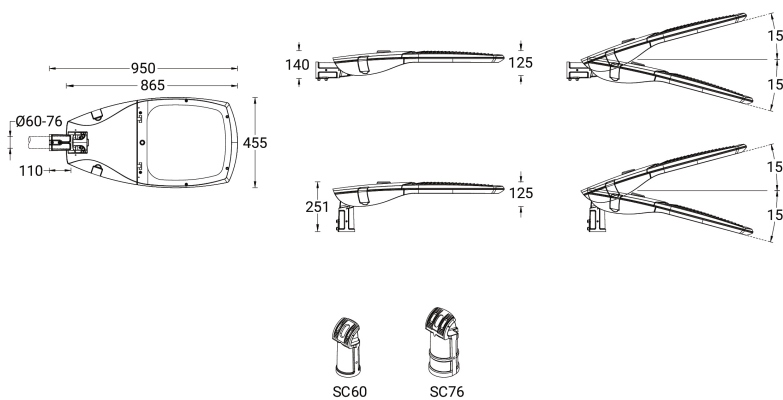
SW03 - Pine - Woodland

BILLUND 3 (BIU-90025-LC)

Technical information

Material	Aluminium	Optic	T1, T2, T3, T4, T5	Product colours	Black, Dark Grey, White, Matt Silver, Bronze, Concrete - Urban, Softscape - Urban, Stone - Urban, Corten - Urban, Oak - Woodland, Walnut - Woodland, Pine - Woodland
Light source	144 LED	Optic value	146°x100°, 138°x125°, 140°x63°, 133°x66°, 111°x65°, 92°x121°	Weight	15.1 kg
Power	275 W	CCT / CRI	3000K CRI70, 4000K CRI70	Operating temperature	-20 °C to 40 °C
Lumen	33136 - 41464 lm	Bug	B4-U0-G3, B4-U0-G4, B5-U0-G2, B5-U0-G5	Cable	One IP68 connector supplied with 0.3 m of 3x1.0 sqmm outdoor cable
Efficacy	120 - 151 lm/W	ULR	0%	Through wiring	Single cable entry
Driver option	Integral control gear	ULOR	0%	Lens / Reflector / Optic	Clear toughened glass, High-efficiency polycarbonate lens
Driver	Constant current (CC)	CIE flux code n°3	100, 95, 96, 97	Variants (DALI)	Compatible with EN/ IEC 60598-2-22: Suitable for emergency installations as central supply, non-maintained (Z0)
Input voltage	220-240 V 50/60 Hz	Dimming type	DALI		

BIU-90025



Accessories



NEMA 7 socket
A90891



Zhaga Book 18 socket (Up)
A90991-U



Motion sensor - PIR - DALI - Up to 3 m
A91691-L2



Motion sensor - PIR - DALI - Up to 12 m
A91691-L7

BILLUND 3 (BIU-90025-LC)

Zhaga Book 18 socket (Down)
A90991-D



DALI Control System
Control-DALI