

BILLUND 6 (BIU-90027)



Product description

Large - with CLO & Night dimming



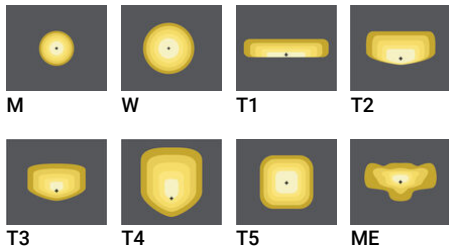
Luminaire Structure

- Die-cast aluminium housing
- Pre-treated before powder coating ensuring high corrosion resistance
- Thermal heat dissipation body
- Single cable entry
- One IP68 connector supplied with 0.3 m of 3x1.0 sqmm outdoor cable

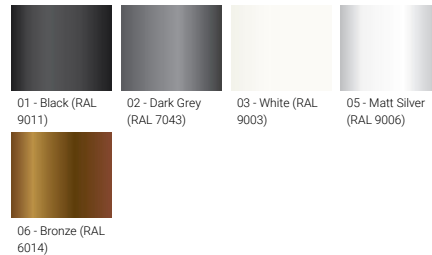
- Stainless steel fasteners in grade 304 with zinc flake coating (ZFC)
- Durable silicone rubber gasket
- Clear toughened glass
- High-efficiency polycarbonate lens
- Integral control gear

- Surge protection 10kV
- Constant lumen output (CLO) and Night-time dimming options

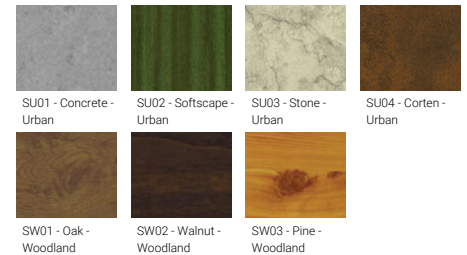
Optic



Product colour



Special finishes upon request

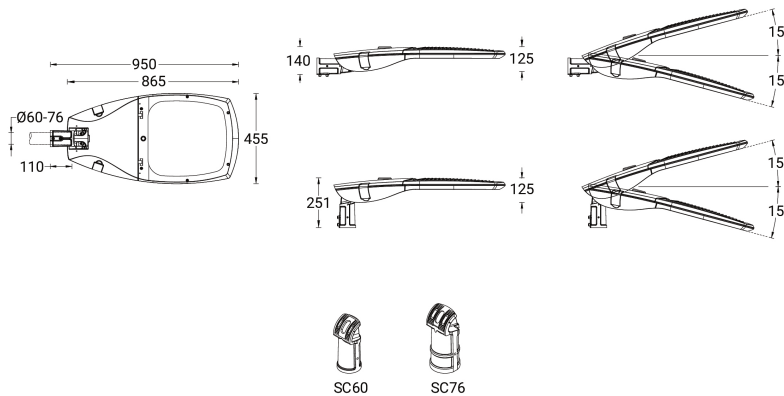


BILLUND 6 (BIU-90027)

Technical information

Material	Aluminium	Optic	M, W, T1, T2, T3, T4, T5, ME	Product colours	Black, Dark Grey, White, Matt Silver, Bronze, Concrete - Urban, Softscape - Urban, Stone - Urban, Corten - Urban, Oak - Woodland, Walnut - Woodland, Pine - Woodland
Light source	48 LED	Optic value	23°, 50°, 145°x70°, 141°x51°, 142°x75°, 101°x78°, 105°, 138°x40°	Operating temperature	-20 °C to 40 °C
Power	214 W	CCT / CRI	3000K CRI80, 4000K CRI80	Cable	One IP68 connector supplied with 0.3 m of 3x1.0 sqmm outdoor cable
Lumen	22135 - 25101 lm	Bug	B3-U0-G3, B4-U0-G1, B4-U0-G4, B5-U0-G1	Through wiring	Single cable entry
Efficacy	103 - 117 lm/W	ULR	0%	Lens / Reflector / Optic	Clear toughened glass, High-efficiency polycarbonate lens
Driver option	Integral control gear	ULOR	0%	Variants (On/Off, 1-10V, DALI, CLO with DALI, CLO with Night dimming 1)	Compatible with EN/ IEC 60598-2-22: Suitable for emergency installations as central supply, non-maintained (Z0)
Driver	Constant current (CC)	CIE flux code n°3	95, 96, 97, 99		
Input voltage	220-240 V 50/60 Hz	Dimming type	On/Off, 1-10V, DALI, CLO with DALI, CLO with Night dimming 1		

BIU-90027



Accessories



DALI Control System
Control-DALI