

BILLUND 2 (BIU-90054)



Product description

Medium



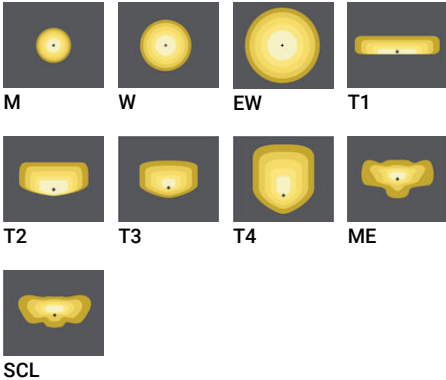
Luminaire Structure

- Die-cast aluminium housing
- Pre-treated before powder coating ensuring high corrosion resistance
- Thermal heat dissipation body
- Single cable entry
- One IP68 connector supplied with 0.3 m of 3x1.0 sqmm outdoor cable

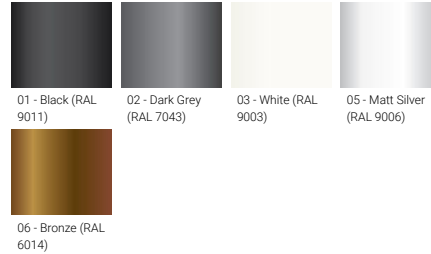
- Stainless steel fasteners in grade 304 with zinc flake coating (ZFC)
- Durable silicone rubber gasket
- Clear toughened glass
- High-efficiency polycarbonate lens
- Integral control gear

- Surge protection 10kV
- Constant lumen output (CLO) and Night-time dimming options

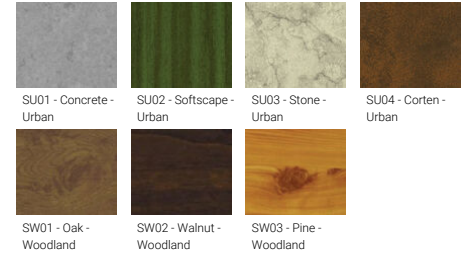
Optic



Product colour



Special finishes upon request



BILLUND 2 (BIU-90054)

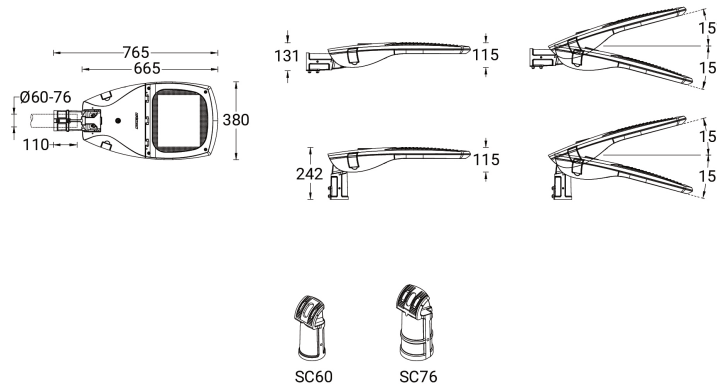
Technical information

Material	Aluminium
Light source	48 LED
Power	156 W
Lumen	14980 - 19759 lm
Efficacy	96 - 127 lm/W
Driver option	Integral control gear
Driver	Constant current (CC)
Input voltage	220-240 V 50/60 Hz
Optic	M, W, EW, T1, T2, T3, T4, ME, SCL

Optic value	31°, 56°, 106°x113°, 149°x72°, 137°x51°, 126°x89°, 103°x74°, 138°x56°, 151°x65°
CCT / CRI	3000K CRI70, 3000K CRI80, 4000K CRI70, 4000K CRI80
Bug	B2-U0-G2, B3-U0-G2, B3-U0-G3, B4-U0-G1, B4-U0-G4, B5-U0-G1
ULR	0%
ULOR	0%
CIE flux code n°3	96, 97, 98, 99
Dimming type	On/Off, 1-10V, DALI
Product colours	Black, Dark Grey, White, Matt Silver, Bronze, Concrete - Urban, Softscape - Urban, Stone - Urban, Corten - Urban, Oak - Woodland, Walnut - Woodland, Pine - Woodland
Weight	11.5 kg

Operating temperature	-20 °C to 40 °C
Cable	One IP68 connector supplied with 0.3 m of 3x1.0 sqmm outdoor cable
Through wiring	Single cable entry
Lens / Reflector / Optic	Clear toughened glass, High-efficiency polycarbonate lens
MacAdam Ellipse	5 SDCM
Lifetime L90B10 (hours)	> 35,000
Lifetime L80B10 (hours)	> 74,000
Lifetime L80B50 (hours)	> 80,000
Variants (On/Off, 1-10V, DALI)	Compatible with EN/ IEC 60598-2-22: Suitable for emergency installations as central supply, non-maintained (ZO)

BIU-90054



Accessories



DALI Control System
Control-DALI