

BILLUND 2 (BIU-90056)



Product description

Medium - Nature Friendly Lighting



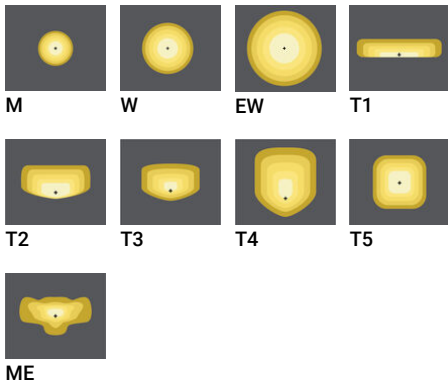
Luminaire Structure

- Die-cast aluminium housing
- Pre-treated before powder coating ensuring high corrosion resistance
- Thermal heat dissipation body
- Single cable entry
- One IP68 connector supplied with 0.3 m of 3x1.0 sqmm outdoor cable

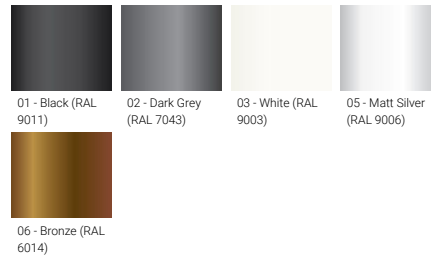
- Stainless steel fasteners in grade 304 with zinc flake coating (ZFC)
- Durable silicone rubber gasket
- Clear toughened glass
- High-efficiency polycarbonate lens
- Integral control gear

- Surge protection 10kV
- Constant lumen output (CLO) and Night-time dimming options

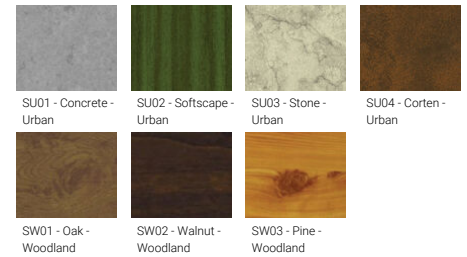
Optic



Product colour



Special finishes upon request

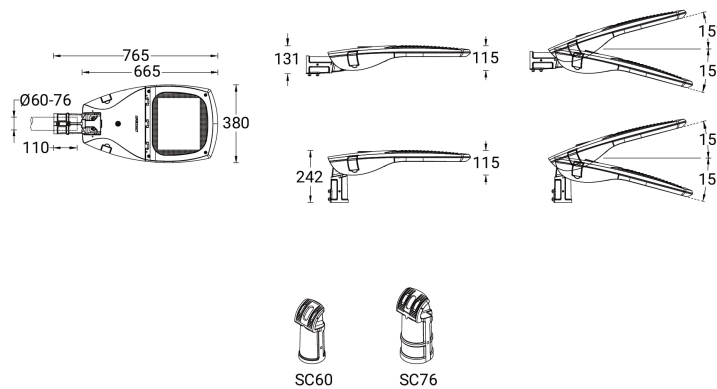


BILLUND 2 (BIU-90056)

Technical information

Material	Aluminium	Optic	M, W, EW, T1, T2, T3, T4, T5, ME	Through wiring	Single cable entry
Light source	48 LED	Optic value	24°, 50°, 108°, 146°x66°, 142°x47°, 141°x59°, 100°x78°, 105°, 136°x32°	Lens / Reflector / Optic	Clear toughened glass, High-efficiency polycarbonate lens
Power	40 W	CCT / CRI	TW(AMBER - 3000K)	MacAdam Ellipse	3 SDCM
Lumen	3980 - 4386 lm	Dimming type	DALI	Lifetime L90B10 (hours)	> 120,000
Efficacy	100 - 110 lm/W	Product colours	Black, Dark Grey, White, Matt Silver, Bronze, Concrete - Urban, Softscape - Urban, Stone - Urban, Corten - Urban, Oak - Woodland, Walnut - Woodland, Pine - Woodland	Lifetime L80B10 (hours)	> 120,000
Driver option	Integral control gear	Weight	11.5 kg	Lifetime L80B50 (hours)	> 120,000
Driver	Constant current (CC)	Operating temperature	-20 °C to 40 °C		
Input voltage	220-240 V 50/60 Hz	Cable	One IP68 connector supplied with 0.3 m of 3x1.0 sqmm outdoor cable		

BIU-90056



Accessories



DALI Control System
Control-DALI