

BORNHOLM 2 (BOH-60011) (Version 2)



Product description

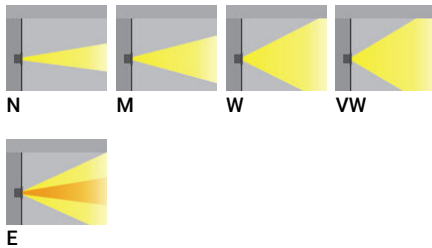
Without remote box IP-rated - With remote driver / recessing box - Constant current (CC) 700 mA



Luminaire structure

- Stainless steel body in grade 316
- Single cable entry
- One cable gland supplied with 2 m of 2x1.0 sqmm outdoor cable
- Stainless steel fasteners in grade 316
- Durable silicone rubber gasket
- Clear toughened glass
- Remote driver (included)
- Remote box IP-rated is not included and is to be ordered separately for constant current (CC) products
- Recessing box in stainless steel 316 grade
- Luminaire must be submerged when operational
- Maximum cable length 2 m
- Outdoor cable needs to be ordered with a specific length
- Maximum distance of the Remote DMX/RDM decoder is 8 m

Optic



Product colour



BORNHOLM 2 (BOH-60011) (Version 2)

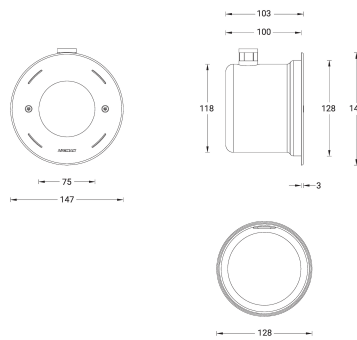
Technical information

Material	Stainless Steel
Light source	4 LED
Power	11 W
Lumen	799 - 1063 lm
Efficacy	73 - 97 lm/W
Driver option	Remote driver (included)
Driver	Constant current (CC)
Input voltage	700 mA, 12 VDC
Optic	N, M, W, VW, E

Optic value	10°, 17°, 34°, 71°x56°, 42°x12°
CCT / CRI	3000K CRI80, 4000K CRI80
Bug	B1-U0-G0, B2-U0-G0
ULR	<1%
ULOR	<1%
CIE flux code n°3	100
Dimming type	On/Off, 1-10V
Product colours	Stainless Steel
Weight	1.6 kg

Operating temperature	-20 °C to 40 °C
Cable	One cable gland supplied with 2 m of 2x1.0 sqmm outdoor cable
Through wiring	Single cable entry
Lens / Reflector / Optic	Clear toughened glass
MacAdam Ellipse	3 SDCM
Lifetime L90B10 (hours)	> 120,000
Lifetime L80B10 (hours)	> 120,000
Lifetime L80B50 (hours)	> 120,000
Variants (1-10V)	Compatible with EN/ IEC 60598-2-22: Suitable for emergency installations as central supply, non-maintained (Z0)

BOH-60011



BORNHOLM 2 (BOH-60011) (Version 2)**Accessory**



Honeycomb louvre
A52321



Remote box IP65
A80191
