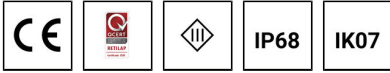


BORNHOLM 2 (BOH-60012) (Version 1)



Product description

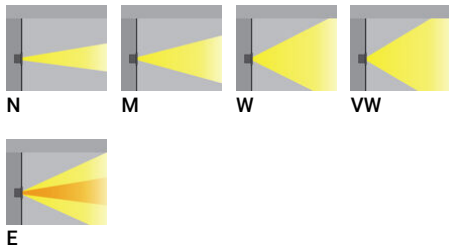
Without remote driver - Constant voltage (CV) 24 V - RGBW



Luminaire Structure

- Stainless steel body in grade 316
- Single cable entry
- One cable gland supplied with 2 m of 5x0.75 sqmm outdoor cable
- Stainless steel fasteners in grade 316
- Durable silicone rubber gasket
- Clear toughened glass
- Remote driver (not included)
- Remote box IP-rated is not included and is to be ordered separately for constant current (CC) products
- Recessing box in stainless steel 316 grade
- Luminaire must be submerged when operational
- Maximum depth 2 m
- Outdoor cable needs to be ordered with a specific length
- Maximum distance of the Remote DMX/RDM decoder is 8 m

Optic



Product colour

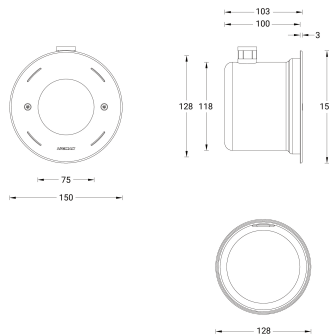


BORNHOLM 2 (BOH-60012) (Version 1)

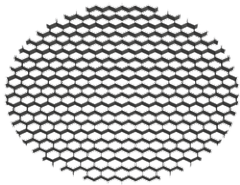
Technical information

Material	Stainless Steel	Optic value	13°, 19°, 32°, 71°, 13°x42°	Operating temperature	-20 °C to 40 °C
Light source	4 LED	CCT / CRI	RGBW30, RGBW40	Cable	One cable gland supplied with 2 m of 5x0.75 sqmm outdoor cable
Power	10 W	Bug	B1-U0-G0	Through wiring	Single cable entry
Lumen	395 - 520 lm	ULR	0%	Lens / Reflector / Optic	Clear toughened glass
Efficacy	40 - 52 lm/W	ULOR	0%	MacAdam Ellipse	7 SDCM
Driver option	Remote driver (not included)	CIE flux code n°3	100	Lifetime L90B10 (hours)	> 50,000
Driver	Constant voltage (CV)	Dimming type	DMX, DMX/RDM	Lifetime L80B10 (hours)	> 68,000
Input voltage	24 VDC	Product colours	Stainless Steel	Lifetime L80B50 (hours)	> 100,000
Optic	N, M, W, VW, E	Weight	1.6 kg		

BOH-60012



Accessories



Honeycomb louvre
A52321



DMX Control System
Control-DMX



DMX/RDM Control System
Control-DMX-RDM



Driver (CV) - On/Off - 36 W - IP67
- 24 V
A34491-ND



Driver (CV) - On/Off - 60 W - IP67
- 24 V
A34591-ND



Driver (CV) - On/Off - 100 W -
IP67 - 24 V
A34791-ND



Driver (CV) - On/Off - 150 W -
IP67 - 24 V
A34891-ND



Driver (CV) - On/Off - 200 W -
IP67 - 24 V
A34991-ND

BORNHOLM 2 (BOH-60012) (Version 1)

Driver (CV) - On/Off - 350 W -
IP67 - 24 V
A35091-ND
