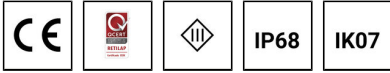


BORNHOLM 2 (BOH-60013) (Version 1)



Product description

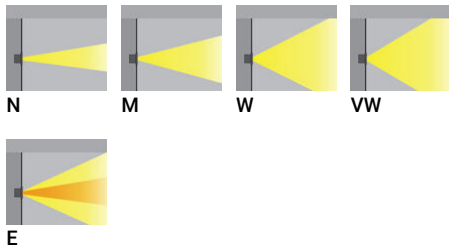
Without remote driver - With recessing box - Constant voltage (CV) 24 V



Luminaire Structure

- Stainless steel body in grade 316
- Single cable entry
- One cable gland supplied with 2 m of 2x1.0 sqmm outdoor cable
- Stainless steel fasteners in grade 316
- Durable silicone rubber gasket
- Clear toughened glass
- Remote driver (not included)
- Remote box IP-rated is not included and is to be ordered separately for constant current (CC) products
- Recessing box in stainless steel 316 grade
- Luminaire must be submerged when operational
- Maximum depth 2 m
- Outdoor cable needs to be ordered with a specific length
- Maximum distance of the Remote DMX/RDM decoder is 8 m

Optic



Product colour



BORNHOLM 2 (BOH-60013) (Version 1)

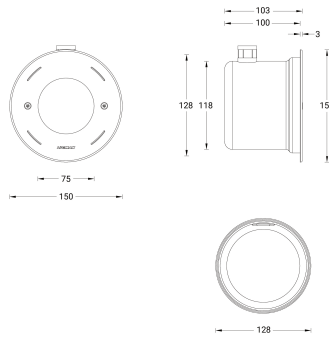
Technical information

Material	Stainless Steel
Light source	4 LED
Power	8 W
Lumen	762 - 984 lm
Efficacy	95 - 123 lm/W
Driver option	Remote driver (not included)
Driver	Constant voltage (CV)
Input voltage	24 VDC

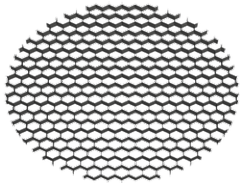
Optic	N, M, W, VW, E
Optic value	11°, 17°, 33°, 71°, 11°x41°
CCT / CRI	3000K CRI80, 4000K CRI80
Bug	B1-U0-G0, B2-U0-G0
ULR	0%
ULOR	0%
CIE flux code n°3	100
Dimming type	On/Off

Product colours	Stainless Steel
Weight	1.6 kg
Operating temperature	-20 °C to 40 °C
Cable	One cable gland supplied with 2 m of 2x1.0 sqmm outdoor cable
Through wiring	Single cable entry
Lens / Reflector / Optic	Clear toughened glass

BOH-60013



Accessories



Honeycomb louvre
A52321



Driver (CV) - On/Off - 36 W - IP67 - 24 V
A34491-ND



Driver (CV) - On/Off - 60 W - IP67 - 24 V
A34591-ND



Driver (CV) - On/Off - 100 W - IP67 - 24 V
A34791-ND



Driver (CV) - On/Off - 150 W - IP67 - 24 V
A34891-ND



Driver (CV) - On/Off - 200 W - IP67 - 24 V
A34991-ND



Driver (CV) - On/Off - 350 W - IP67 - 24 V
A35091-ND