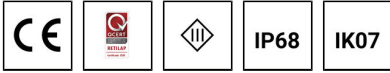
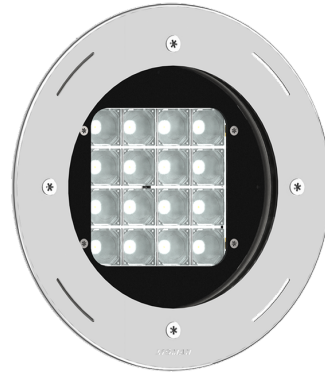


BORNHOLM 4 (BOH-60033) (Version 1)



Product description

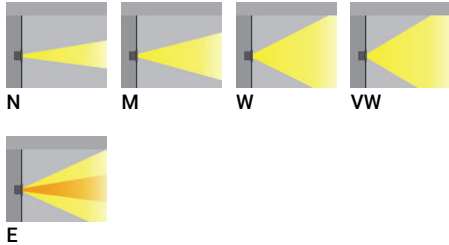
Without remote driver - With recessing box - Constant voltage (CV) 24 V



Luminaire Structure

- Stainless steel body in grade 316
- Single cable entry
- One cable gland supplied with 2 m of 2x1.0 sqmm outdoor cable
- Stainless steel fasteners in grade 316
- Durable silicone rubber gasket
- Clear toughened glass
- Remote driver (not included)
- Remote box IP-rated is not included and is to be ordered separately for constant current (CC) products
- Recessing box in stainless steel 316 grade
- Luminaire must be submerged when operational
- Maximum depth 2 m
- Outdoor cable needs to be ordered with a specific length
- Maximum distance of the Remote DMX/RDM decoder is 8 m

Optic



Product colour

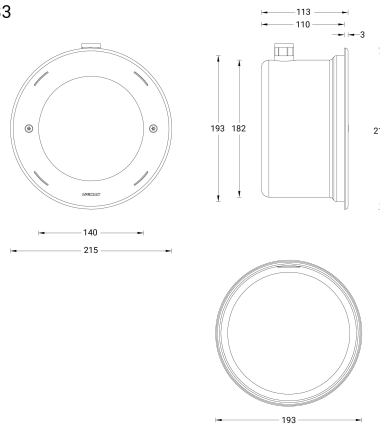


BORNHOLM 4 (BOH-60033) (Version 1)

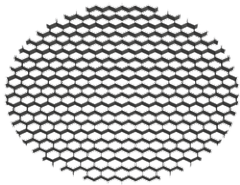
Technical information

Material	Stainless Steel	Optic value	10°, 16°, 32°, 71°, 11°x43°	Operating temperature	-20 °C to 40 °C
Light source	16 LED	CCT / CRI	3000K CRI80, 4000K CRI80	Cable	One cable gland supplied with 2 m of 2x1.0 sqmm outdoor cable
Power	32 W	Bug	B2-U0-G0, B3-U0-G0	Through wiring	Single cable entry
Lumen	3276 - 4038 lm	ULR	0%	Lens / Reflector / Optic	Clear toughened glass
Efficacy	102 - 126 lm/W	ULOR	0%	MacAdam Ellipse	3 SDCM
Driver option	Remote driver (not included)	CIE flux code n°3	100	Lifetime L90B10 (hours)	> 120,000
Driver	Constant voltage (CV)	Dimming type	On/Off	Lifetime L80B10 (hours)	> 120,000
Input voltage	24 VDC	Product colours	Stainless Steel	Lifetime L80B50 (hours)	> 120,000
Optic	N, M, W, VW, E	Weight	3.6 kg		

BOH-60033



Accessories



Honeycomb louvre
A52521



Driver (CV) - On/Off - 36 W - IP67 - 24 V
A34491-ND



Driver (CV) - On/Off - 60 W - IP67 - 24 V
A34591-ND



Driver (CV) - On/Off - 100 W - IP67 - 24 V
A34791-ND



Driver (CV) - On/Off - 150 W - IP67 - 24 V
A34891-ND



Driver (CV) - On/Off - 200 W - IP67 - 24 V
A34991-ND



Driver (CV) - On/Off - 350 W - IP67 - 24 V
A35091-ND