

CONCORD 2 (CN-10246-2) (Version 2)



Product description

Ø160 - 1024 mm - Flat top



Luminaire Structure

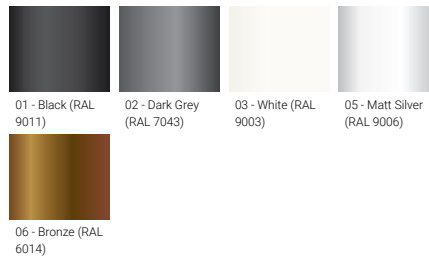
- Die-cast aluminium housing
- Extruded aluminium column
- Pre-treated before powder coating ensuring high corrosion resistance
- Single cable entry
- One IP68 connector supplied with 0.2 m of 3x1.0 sqmm outdoor cable
- Stainless steel fasteners in grade 304 with zinc flake coating (ZFC)
- Durable silicone rubber gasket
- Opal toughened glass diffuser
- Integral control gear

Optic

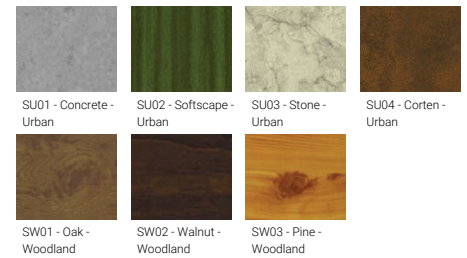


G

Product colour



Special finishes upon request

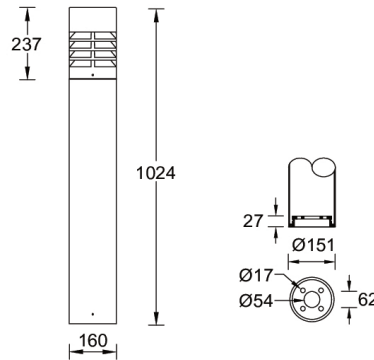


CONCORD 2 (CN-10246-2) (Version 2)

Technical information

Material	Aluminium	Optic value	137°x 114°	Operating temperature	-20 °C to 40 °C
Light source	1 COB	CCT / CRI	3000K CRI80, 4000K CRI80	Cable	One IP68 connector supplied with 0.2 m of 3x1.0 sqmm outdoor cable
Power	41 W	Bug	B1-U0-G0	Through wiring	Single cable entry
Lumen	922 - 927 lm	ULR	1%	Lens / Reflector / Optic	Opal toughened glass diffuser
Efficacy	22 - 23 lm/W	ULOR	1%	MacAdam Ellipse	3 SDCM
Driver option	Integral control gear	CIE flux code n°3	95	Lifetime L90B10 (hours)	> 55,000
Driver	Constant current (CC)	Dimming type	On/Off, 1-10V, DALI	Variants (1-10V, DALI)	Compatible with EN/ IEC 60598-2-22: Suitable for emergency installations as central supply, non-maintained (Z0)
Input voltage	220-240 V 50/60 Hz	Product colours	Black, Dark Grey, White, Matt Silver, Bronze, Concrete - Urban, Softscape - Urban, Stone - Urban, Corten - Urban, Oak - Woodland, Walnut - Woodland, Pine - Woodland		
Optic	G	Weight	8.5 kg		

CN-10246-2



Accessories



Anchor bolt
A10291



Power connection box (IP65)
modification upon request
POWER-BOX-IP65



DALI Control System
Control-DALI