

LIGHT LINEAR DENVER 2 (DE-20012)



Product description

2 sides - Supplied with specific 4 m cylindrical, straight aluminium pole: APD240114-DE2



Luminaire Structure

- Die-cast aluminium housing
- Extruded aluminium column
- Pre-treated before powder coating ensuring high corrosion resistance
- Single cable entry
- Stainless steel fasteners in grade 304 with zinc flake coating (ZFC)
- Durable silicone rubber gasket
- Clear toughened glass
- High-efficiency polycarbonate lens
- Integral control gear
- Maximum wind load resistance is 100 km/h
- Surge protection 10kV

Optic



T2 T3 T4 ME

Product colour

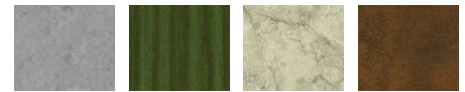


01 - Black (RAL 9011) 02 - Dark Grey (RAL 7043) 03 - White (RAL 9003) 05 - Matt Silver (RAL 9006)

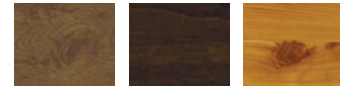


06 - Bronze (RAL 6014)

Special finishes upon request



SU01 - Concrete - Urban SU02 - Softscape - Urban SU03 - Stone - Urban SU04 - Corten - Urban

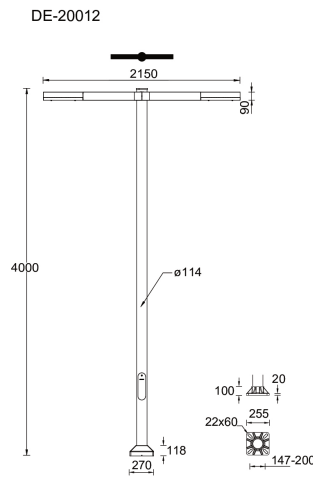


SW01 - Oak - Woodland SW02 - Walnut - Woodland SW03 - Pine - Woodland

LIGHT LINEAR DENVER 2 (DE-20012)

Technical information

Material	Aluminium	Optic value	139°x53°, 132°x70°, 91°x75°, 127°x56°	Operating temperature	-20 °C to 50 °C
Light source	2 x 24 LED	CCT / CRI	3000K CRI80, 4000K CRI80	Through wiring	Single cable entry
Power	164 W	Bug	B1-U0-G1, B2-U0-G1, B2-U0-G2	Lens / Reflector / Optic	Clear toughened glass, High-efficiency polycarbonate lens
Lumen	14928 - 16896 lm	ULR	0%	Lifetime L90B10 (hours)	> 90,000
Efficacy	91 - 103 lm/W	ULOR	0%	Lifetime L80B10 (hours)	> 90,000
Driver option	Integral control gear	CIE flux code n°3	98	Lifetime L80B50 (hours)	> 90,000
Driver	Constant current (CC)	Dimming type	On/Off, 1-10V, DALI	Variants (On/Off, 1-10V, DALI)	Compatible with EN/ IEC 60598-2-22: Suitable for emergency installations as central supply, non-maintained (Z0)
Input voltage	220-240 V 50/60 Hz	Product colours	Black, Dark Grey, White, Matt Silver, Bronze, Concrete - Urban, Softscape - Urban, Stone - Urban, Corten - Urban, Oak - Woodland, Walnut - Woodland, Pine - Woodland		
Optic	T2, T3, T4, ME	Weight	31.3 kg		



Accessories



Circuit breaker box IP44
A21291



Motion sensor - PIR - 1-10V - Up to 12 m
A90191-L7



Motion sensor - PIR - 1-10V - Up to 3 m
A90191-L2



Motion sensor - PIR - 1-10V - Up to 6 m
A90191-L3

LIGHT LINEAR DENVER 2 (DE-20012)

Root mount kit
A20491



4 m - Cylindrical, straight
aluminium pole for LIGHT
LINEAR DENVER
APD240114-DE2



Remote controller for the motion
sensor - 1-10V (A90191)
A90791



DALI Control System
Control-DALI