

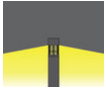
DUOMO 1 (DU-10176-2-SB)**IP65****IK08****Product description**

Ø160 - 736 mm - Flat top - With integrated security core (Anti-traffic)

**Luminaire Structure**

- Die-cast aluminium housing
- Extruded aluminium column
- Pre-treated before powder coating ensuring high corrosion resistance
- Single cable entry
- One IP68 connector supplied with 0.2 m of 3x1.0 sqmm outdoor cable
- Stainless steel fasteners in grade 304 with zinc flake coating (ZFC)
- Durable silicone rubber gasket
- Opal toughened glass diffuser
- Integral control gear

Optic

**G**

DUOMO 1 (DU-10176-2-SB)

Technical information

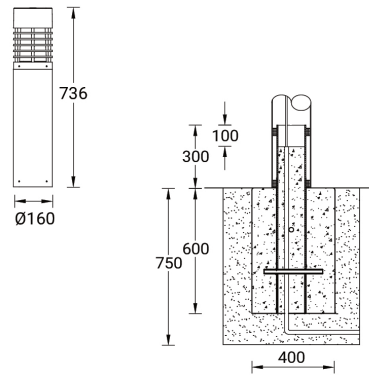
Light source	1 COB
Power	41 W
Lumen	733 - 742 lm
Efficacy	18 lm/W
Driver option	Integral control gear
Driver	Constant current (CC)
Input voltage	220-240 V 50/60 Hz
Optic	G

Optic value	360°
CCT / CRI	3000K CRI80, 4000K CRI80
Bug	B0-U3-G1
ULR	46%
ULOR	46%
CIE flux code n°3	48
Dimming type	On/Off, DALI
Weight	7.2 kg

Operating temperature	-20 °C to 40 °C
Cable	One IP68 connector supplied with 0.2 m of 3x1.0 sqmm outdoor cable
Through wiring	Single cable entry
Lens / Reflector / Optic	Opal toughened glass diffuser
MacAdam Ellipse	3 SDCM
Lifetime L90B10 (hours)	> 55,000

Variants (DALI)
Compatible with EN/ IEC 60598-2-22: Suitable for emergency installations as central supply, non-maintained (Z0)

DU-10176-2-SB



Accessories



DALI Control System
Control-DALI