

**DUOMO 1** (DU-10186-2-SB)**IP65****IK08****Product description**

---

Ø160 - 1041 mm - Flat top - With integrated security core (Anti-traffic)

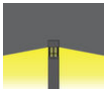
**Luminaire Structure**

---

- Die-cast aluminium housing
- Extruded aluminium column
- Pre-treated before powder coating ensuring high corrosion resistance
- Single cable entry
- One IP68 connector supplied with 0.2 m of 3x1.0 sqmm outdoor cable
- Stainless steel fasteners in grade 304 with zinc flake coating (ZFC)
- Durable silicone rubber gasket
- Opal toughened glass diffuser
- Integral control gear

**Optic**

---

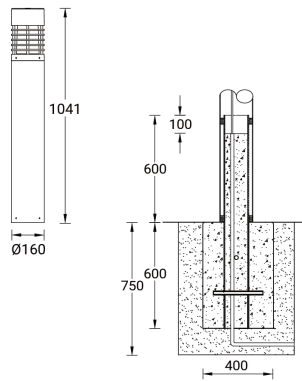
**G**

**DUOMO 1 (DU-10186-2-SB)**

**Technical information**

<b>Light source</b>	1 COB	<b>Optic value</b>	360°	<b>Operating temperature</b>	-20 °C to 40 °C
<b>Power</b>	41 W	<b>CCT / CRI</b>	3000K CRI80, 4000K CRI80	<b>Cable</b>	One IP68 connector supplied with 0.2 m of 3x1.0 sqmm outdoor cable
<b>Lumen</b>	733 - 742 lm	<b>Bug</b>	B0-U3-G1	<b>Through wiring</b>	Single cable entry
<b>Efficacy</b>	18 lm/W	<b>ULR</b>	46%	<b>Lens / Reflector / Optic</b>	Opal toughened glass diffuser
<b>Driver option</b>	Integral control gear	<b>ULOR</b>	46%	<b>MacAdam Ellipse</b>	3 SDCM
<b>Driver</b>	Constant current (CC)	<b>CIE flux code n°3</b>	48	<b>Lifetime L90B10 (hours)</b>	> 55,000
<b>Input voltage</b>	220-240 V 50/60 Hz	<b>Dimming type</b>	On/Off, 1-10V, DALI	<b>Variants (1-10V, DALI)</b>	Compatible with EN/ IEC 60598-2-22: Suitable for emergency installations as central supply, non-maintained (Z0)
<b>Optic</b>	G	<b>Weight</b>	8.6 kg		

DU-10186-2-SB



**Accessories**



Power connection box (IP65)  
modification upon request  
**POWER-BOX-IP65**



DALI Control System  
**Control-DALI**