

DUOMO 2 (DU-10206-2-SB)**IP65****IK08****Product description**

Ø186 - 1063 mm - Flat top - With integrated security core (Anti-traffic)

**Luminaire Structure**

- Die-cast aluminium housing
- Extruded aluminium column
- Pre-treated before powder coating ensuring high corrosion resistance
- Single cable entry
- One IP68 connector supplied with 0.2 m of 3x1.0 sqmm outdoor cable
- Stainless steel fasteners in grade 304 with zinc flake coating (ZFC)
- Durable silicone rubber gasket
- Opal toughened glass diffuser
- Integral control gear

Optic

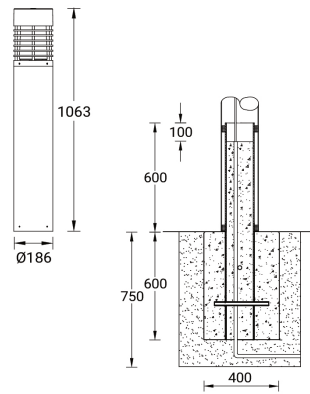
**G**

DUOMO 2 (DU-10206-2-SB)

Technical information

Light source	1 COB	Optic value	360°	Operating temperature	-20 °C to 40 °C
Power	41 W	CCT / CRI	3000K CRI80, 4000K CRI80	Cable	One IP68 connector supplied with 0.2 m of 3x1.0 sqmm outdoor cable
Lumen	664 - 673 lm	Bug	B0-U3-G1	Through wiring	Single cable entry
Efficacy	16 lm/W	ULR	46%	Lens / Reflector / Optic	Opal toughened glass diffuser
Driver option	Integral control gear	ULOR	46%	MacAdam Ellipse	3 SDCM
Driver	Constant current (CC)	CIE flux code n°3	45	Lifetime L90B10 (hours)	> 55,000
Input voltage	220-240 V 50/60 Hz	Dimming type	On/Off, 1-10V, DALI	Variants (1-10V, DALI)	Compatible with EN/ IEC 60598-2-22: Suitable for emergency installations as central supply, non-maintained (Z0)
Optic	G	Weight	10.3 kg		

DU-10206-2-SB



Accessories



Power connection box (IP65)
modification upon request
POWER-BOX-IP65



DALI Control System
Control-DALI