

ELMET 1 (EL-10492)



Product description

Ø186 - 900 mm



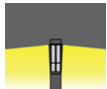
Luminaire Structure

- Die-cast aluminium housing and extruded aluminium column pre-treated before powder coating ensuring high corrosion resistance
- Single cable entry
- One IP68 connector supplied with 0.5 m of 3x1.0 sqmm outdoor cable

- Stainless steel fasteners in grade 316
- Durable silicone rubber gasket
- Opal, impact-resistant, UV-stabilised polycarbonate lens

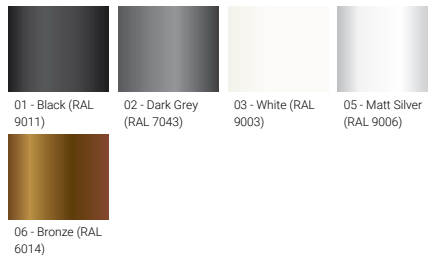
- Integral control gear

Optic

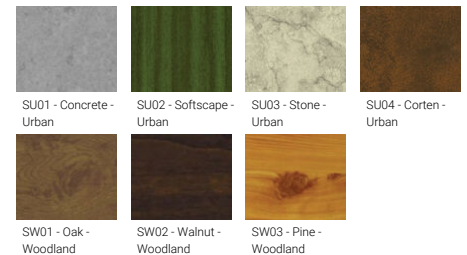


G

Product colour



Special finishes upon request



ELMET 1 (EL-10492)

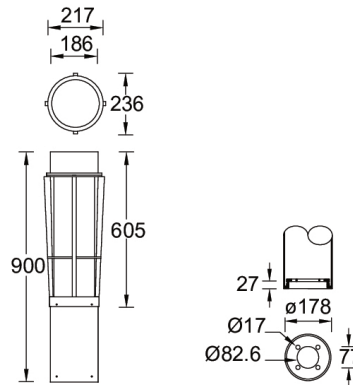
Technical information

Material	Aluminium
Light source	3 x 32 LED
Power	33 W
Lumen	1558 - 1640 lm
Efficacy	47 - 50 lm/W
Driver option	Integral control gear
Driver	Constant current (CC)
Input voltage	220-240 V 50/60 Hz
Optic	G

Optic value	360°
CCT / CRI	3000K CRI80, 4000K CRI80
Bug	B1-U4-G1
ULR	49%
ULOR	49%
CIE flux code n°3	67
Dimming type	On/Off, 1-10V, DALI
Product colours	Black, Dark Grey, White, Matt Silver, Bronze, Concrete - Urban, Softscape - Urban, Stone - Urban, Corten - Urban, Oak - Woodland, Walnut - Woodland, Pine - Woodland
Weight	8.3 kg

Operating temperature	-20 °C to 40 °C
Lens / Reflector / Optic	Opal UV-stabilised polycarbonate diffuser
MacAdam Ellipse	3 SDCM
Lifetime L90B10 (hours)	> 23,000
Lifetime L80B10 (hours)	> 45,000
Lifetime L80B50 (hours)	> 50,000
Variants (On/Off, 1-10V, DALI)	Compatible with EN/ IEC 60598-2-22: Suitable for emergency installations as central supply, non-maintained (Z0)

EL-10492



Accessories



Anchor bolt
A10391



Motion sensor - Microwave -
1-10V
A14591