

EURASIA 2 (EU-10036-1)



Product description

Ø114 - 941 mm - Dome top without shade



Luminaire Structure

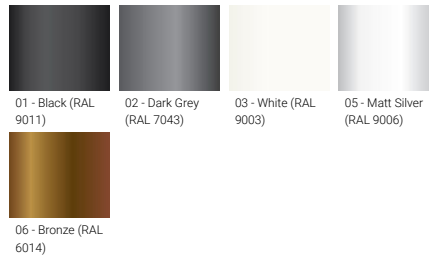
- Die-cast aluminium housing
- Extruded aluminium column
- Pre-treated before powder coating ensuring high corrosion resistance
- Single cable entry
- Stainless steel fasteners in grade 304 with zinc flake coating (ZFC)
- Durable silicone rubber gasket
- Sandblast finishing aluminium reflector
- Clear UV-stabilised polycarbonate diffuser
- Integral control gear

Optic

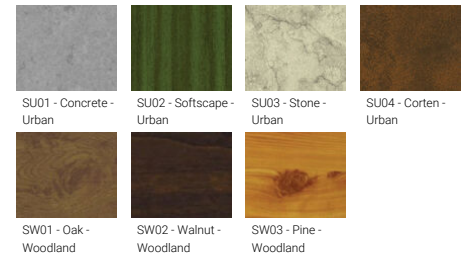


G

Product colour



Special finishes upon request

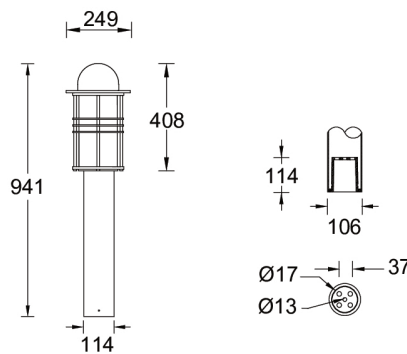


EURASIA 2 (EU-10036-1)

Technical information

Material	Aluminium	Optic	G	Product colours	Black, Dark Grey, White, Matt Silver, Bronze, Concrete - Urban, Softscape - Urban, Stone - Urban, Corten - Urban, Oak - Woodland, Walnut - Woodland, Pine - Woodland
Light source	1 COB	Optic value	360°	Weight	10.3 kg
Power	41 W	CCT / CRI	3000K CRI80, 4000K CRI80	Operating temperature	-20 °C to 40 °C
Lumen	1040 - 1053 lm	Bug	B1-U3-G1	Through wiring	Single cable entry
Efficacy	25 - 26 lm/W	ULR	25%	Lens / Reflector / Optic	Sandblast finishing aluminium reflector, Clear UV-stabilised polycarbonate diffuser
Driver option	Integral control gear	ULOR	25%	MacAdam Ellipse	3 SDCM
Driver	Constant current (CC)	CIE flux code n°3	76	Lifetime L90B10 (hours)	> 55,000
Input voltage	220-240 V 50/60 Hz	Dimming type	On/Off, 1-10V, DALI	Variants (1-10V, DALI)	Compatible with EN/ IEC 60598-2-22: Suitable for emergency installations as central supply, non-maintained (Z0)

EU-10036-1



Accessories



Anchor bolt
A10191



DALI Control System
Control-DALI