

FORREY 7 (FOR-10121)



Product description

Ø186 - 874 mm



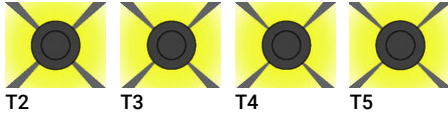
Luminaire Structure

- Die-cast aluminium housing and frame
- Extruded aluminium column
- Pre-treated before powder coating ensuring high corrosion resistance
- Models with shade will have colour white coating at inside of shade luminaire and outside surface coating according to colour of luminaire

- Single cable entry
- One IP68 connector supplied with 0.2 m of 3x1.0 sqmm outdoor cable
- Stainless steel fasteners in grade 304 with zinc flake coating (ZFC)
- Durable silicone rubber gasket

- High-efficiency PMMA lens
- Integral control gear
- FORREY luminaires with opal lens and colder than 3000K CCT do not meet the IDA certification requirements

Optic



T2 T3 T4 T5

Product colour

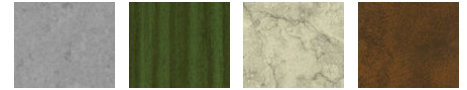


01 - Black (RAL 9011) 02 - Dark Grey (RAL 7043) 03 - White (RAL 9003) 05 - Matt Silver (RAL 9006)

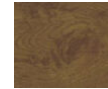


06 - Bronze (RAL 6014)

Special finishes upon request



SU01 - Concrete - Urban SU02 - Softscape - Urban SU03 - Stone - Urban SU04 - Corten - Urban



SW01 - Oak - Woodland



SW02 - Walnut - Woodland



SW03 - Pine - Woodland

FORREY 7 (FOR-10121)

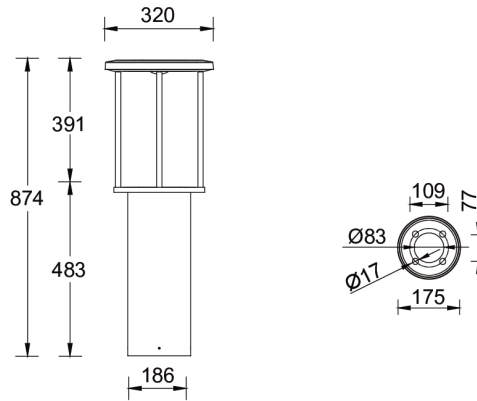
Technical information

| | |
|----------------------|-----------------------|
| Material | Aluminium |
| Light source | 1 COB |
| Power | 47.5 W |
| Lumen | 4221 - 4780 lm |
| Efficacy | 89 - 101 lm/W |
| Driver option | Integral control gear |
| Driver | Constant current (CC) |
| Input voltage | 220-240 V 50/60 Hz |

| | |
|------------------------------|--|
| Optic | T2, T3, T4, T5 |
| Optic value | 142°x87°, 131°x100°, 128°x118°, 143°x89° |
| CCT / CRI | 3000K CRI80, 4000K CRI80 |
| Dimming type | On/Off, 1-10V, DALI |
| Product colours | Black, Dark Grey, White, Matt Silver, Bronze, Concrete - Urban, Softscape - Urban, Stone - Urban, Corten - Urban, Oak - Woodland, Walnut - Woodland, Pine - Woodland |
| Weight | 10.0 kg |
| Operating temperature | -20 °C to 40 °C |
| Cable | One IP68 connector supplied with 0.2 m of 3x1.0 sqmm outdoor cable |

| | |
|---------------------------------|---|
| Through wiring | Single cable entry |
| Lens / Reflector / Optic | High-efficiency PMMA lens |
| MacAdam Ellipse | 3 SDCM |
| Lifetime L90B10 (hours) | > 50,700 |
| Lifetime L80B10 (hours) | > 63,500 |
| Lifetime L80B50 (hours) | > 63,500 |
| Variants (DALI) | Compatible with EN/ IEC 60598-2-22: Suitable for emergency installations as central supply, non-maintained (Z0) |

FOR-10121



Accessories

