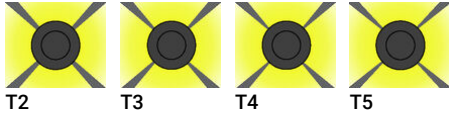


**FORREY 7 (FOR-10131-SB)****IP65****IK08****Product description**

Ø186 - 1179 mm - With opal diffuser - With integrated security core (Anti-traffic)

**Luminaire Structure**

- Die-cast aluminium housing and frame
- Extruded aluminium column
- Pre-treated before powder coating ensuring high corrosion resistance
- Models with shade will have colour white coating at inside of shade luminaire and outside surface coating according to colour of luminaire
- Single cable entry
- One IP68 connector supplied with 0.2 m of 3x1.0 sqmm outdoor cable
- Stainless steel fasteners in grade 304 with zinc flake coating (ZFC)
- Durable silicone rubber gasket
- High-efficiency PMMA lens
- Integral control gear
- FORREY luminaires with opal lens and colder than 3000K CCT do not meet the IDA certification requirements

**Optic**

T2

T3

T4

T5

**FORREY 7 (FOR-10131-SB)**

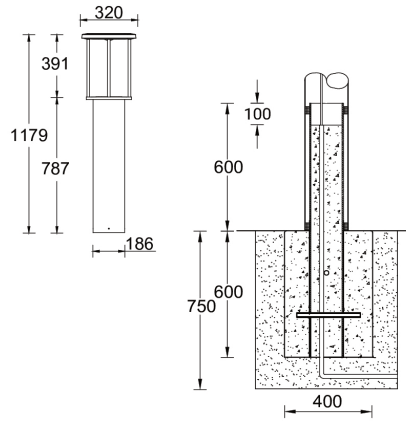
**Technical information**

<b>Light source</b>	160 LED
<b>Power</b>	47.5 W
<b>Lumen</b>	4221 - 4780 lm
<b>Efficacy</b>	89 - 101 lm/W
<b>Driver option</b>	Integral control gear
<b>Driver</b>	Constant current (CC)
<b>Input voltage</b>	220-240 V 50/60 Hz

<b>Optic</b>	T2, T3, T4, T5
<b>Optic value</b>	142°x87°, 131°x100°, 128°x118°, 143°x89°
<b>CCT / CRI</b>	3000K CRI80, 4000K CRI80
<b>Dimming type</b>	On/Off, 1-10V, DALI
<b>Weight</b>	11.5 kg
<b>Operating temperature</b>	-20 °C to 40 °C
<b>Cable</b>	One IP68 connector supplied with 0.2 m of 3x1.0 sqmm outdoor cable

<b>Through wiring</b>	Single cable entry
<b>Lens / Reflector / Optic</b>	High-efficiency PMMA lens
<b>MacAdam Ellipse</b>	3 SDCM
<b>Lifetime L90B10 (hours)</b>	> 50,700
<b>Lifetime L80B10 (hours)</b>	> 63,500
<b>Lifetime L80B50 (hours)</b>	> 63,500
<b>Variants (DALI)</b>	Compatible with EN/ IEC 60598-2-22: Suitable for emergency installations as central supply, non-maintained (Z0)

FOR-10131-SB



**Accessories**



DALI Control System  
Control-DALI