

**FORREY 8 (FOR-10152-SB)****IP65****IK08****Product description**

---

Ø186 - 1179 mm - With louver & opal diffuser - With integrated security core (Anti-traffic)

**Luminaire Structure**

---

- Die-cast aluminium housing and frame
- Extruded aluminium column
- Pre-treated before powder coating ensuring high corrosion resistance
- Models with shade will have colour white coating at inside of shade luminaire and outside surface coating according to colour of luminaire
- Single cable entry
- One IP68 connector supplied with 0.2 m of 3x1.0 sqmm outdoor cable
- Stainless steel fasteners in grade 304 with zinc flake coating (ZFC)
- Durable silicone rubber gasket
- Opal UV-stabilised polycarbonate diffuser
- Integral control gear
- FORREY luminaires with opal lens and colder than 3000K CCT do not meet the IDA certification requirements

**Optic**

---

**G**

**FORREY 8 (FOR-10152-SB)**

**Technical information**

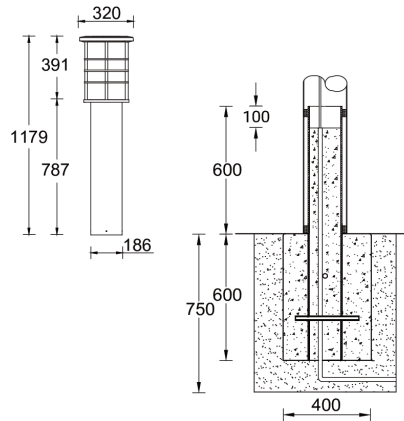
<b>Light source</b>	160 LED
<b>Power</b>	50.2 W
<b>Lumen</b>	3279 - 3526 lm
<b>Efficacy</b>	65 - 70 lm/W
<b>Driver option</b>	Integral control gear
<b>Driver</b>	Constant current (CC)
<b>Input voltage</b>	220-240 V 50/60 Hz

<b>Optic</b>	G
<b>Optic value</b>	360°
<b>CCT / CRI</b>	3000K CRI80, 4000K CRI80
<b>Dimming type</b>	On/Off, 1-10V, DALI
<b>Weight</b>	14.9 kg
<b>Operating temperature</b>	-20 °C to 40 °C
<b>Cable</b>	One IP68 connector supplied with 0.2 m of 3x1.0 sqmm outdoor cable

<b>Through wiring</b>	Single cable entry
<b>Lens / Reflector / Optic</b>	Opal UV-stabilised polycarbonate diffuser
<b>MacAdam Ellipse</b>	3 SDCM
<b>Lifetime L90B10 (hours)</b>	> 23,000
<b>Lifetime L80B10 (hours)</b>	> 45,000
<b>Lifetime L80B50 (hours)</b>	> 49,000

**Variants (DALI)**  
Compatible with EN/ IEC 60598-2-22: Suitable for emergency installations as central supply, non-maintained (Z0)

FOR-10152-SB



**Accessories**



Power connection box (IP65)  
modification upon request  
**POWER-BOX-IP65**



DALI Control System  
**Control-DALI**