

FORREY 14 (FOR-20022)



Product description

Top Ø250 mm - With louver



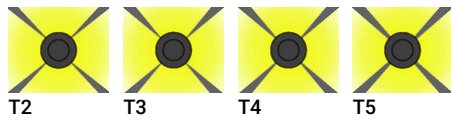
Luminaire Structure

- Die-cast aluminium housing
- Pre-treated before powder coating ensuring high corrosion resistance
- Extruded aluminium column
- Models with shade will have colour white coating at inside of shade luminaire and outside surface coating according to colour of luminaire

- Single cable entry
- One IP68 connector supplied with 0.2 m of 3x1.0 sqmm outdoor cable
- Stainless steel fasteners in grade 304 with zinc flake coating (ZFC)
- Durable silicone rubber gasket

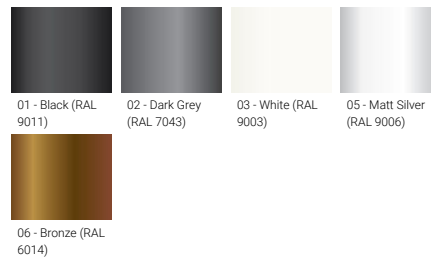
- High-efficiency PMMA lens
- Integral control gear
- FORREY luminaires with opal lens and colder than 3000K CCT do not meet the IDA certification requirements

Optic



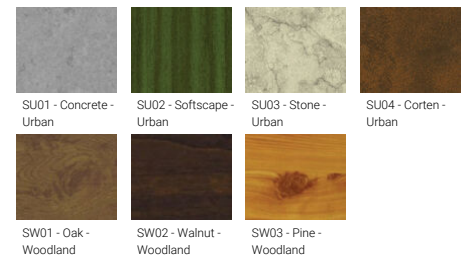
T2 T3 T4 T5

Product colour



01 - Black (RAL 9011) 02 - Dark Grey (RAL 7043) 03 - White (RAL 9003) 05 - Matt Silver (RAL 9006) 06 - Bronze (RAL 6014)

Special finishes upon request



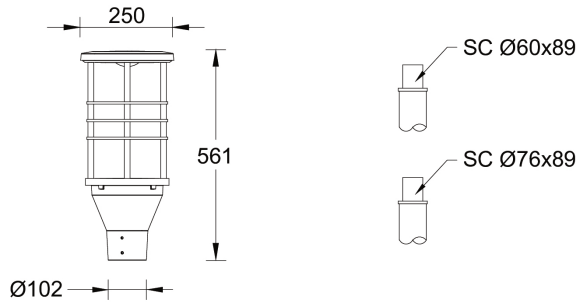
SU01 - Concrete - Urban SU02 - Softscape - Urban SU03 - Stone - Urban SU04 - Corten - Urban SW01 - Oak - Woodland SW02 - Walnut - Woodland SW03 - Pine - Woodland

FORREY 14 (FOR-20022)

Technical information

Material	Aluminium	Optic	T2, T3, T4, T5	Through wiring	Single cable entry
Light source	1 COB	Optic value	140°x100°, 132°x103°, 137°x117°, 73°	Lens / Reflector / Optic	High-efficiency PMMA lens
Power	47.5 W	CCT / CRI	3000K CRI80, 4000K CRI80	MacAdam Ellipse	3 SDCM
Lumen	3191 - 3711 lm	Dimming type	On/Off, 1-10V, DALI	Lifetime L90B10 (hours)	> 50,700
Efficacy	67 - 78 lm/W	Product colours	Black, Dark Grey, White, Matt Silver, Bronze, Concrete - Urban, Softscape - Urban, Stone - Urban, Corten - Urban, Oak - Woodland, Walnut - Woodland, Pine - Woodland	Lifetime L80B10 (hours)	> 63,500
Driver option	Integral control gear			Lifetime L80B50 (hours)	> 63,500
Driver	Constant current (CC)	Weight	10.6 kg	Variants (DALI)	Compatible with EN/ IEC 60598-2-22: Suitable for emergency installations as central supply, non-maintained (Z0)
Input voltage	220-240 V 50/60 Hz	Operating temperature	-20 °C to 40 °C		
		Cable	One IP68 connector supplied with 0.2 m of 3x1.0 sqmm outdoor cable		

FOR-20022



Accessories



DALI Control System
Control-DALI



Remote solar charge controller for Solar Integrated Bollards and Vertical Solar PV poles
A92691