

FORREY 13 (FOR-20031)



Product description

Top Ø250 mm - With opal diffuser



Luminaire Structure

- Die-cast aluminium housing
- Pre-treated before powder coating ensuring high corrosion resistance
- Extruded aluminium column
- Models with shade will have colour white coating at inside of shade luminaire and outside surface coating according to colour of luminaire

- Single cable entry
- One IP68 connector supplied with 0.2 m of 3x1.0 sqmm outdoor cable
- Stainless steel fasteners in grade 304 with zinc flake coating (ZFC)
- Durable silicone rubber gasket

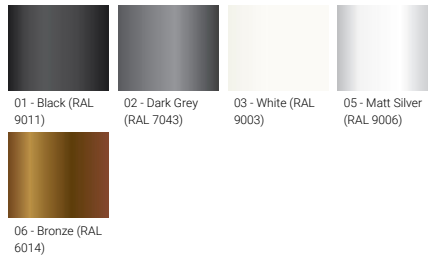
- Opal UV-stabilised polycarbonate diffuser
- Integral control gear
- FORREY luminaires with opal lens and colder than 3000K CCT do not meet the IDA certification requirements

Optic

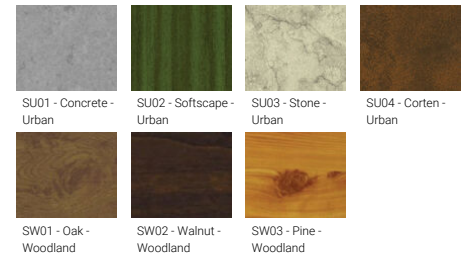


G

Product colour



Special finishes upon request

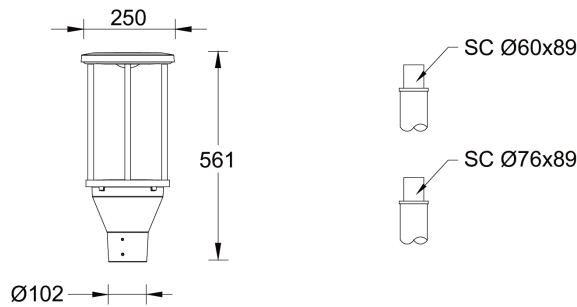


FORREY 13 (FOR-20031)

Technical information

Material	Aluminium	Optic value	360°	Operating temperature	-20 °C to 40 °C
Light source	160 LED	CCT / CRI	3000K CRI80, 4000K CRI80	Cable	One IP68 connector supplied with 0.2 m of 3x1.0 sqmm outdoor cable
Power	50.2 W	Bug	B1-U5-G3	Through wiring	Single cable entry
Lumen	4237 - 4556 lm	ULR	48%	Lens / Reflector / Optic	Opal UV-stabilised polycarbonate diffuser
Efficacy	84 - 91 lm/W	ULOR	48%	MacAdam Ellipse	3 SDCM
Driver option	Integral control gear	CIE flux code n°3	66	Lifetime L90B10 (hours)	> 23,000
Driver	Constant current (CC)	Dimming type	On/Off, 1-10V, DALI	Lifetime L80B10 (hours)	> 45,000
Input voltage	220-240 V 50/60 Hz	Product colours	Black, Dark Grey, White, Matt Silver, Bronze, Concrete - Urban, Softscape - Urban, Stone - Urban, Corten - Urban, Oak - Woodland, Walnut - Woodland, Pine - Woodland	Lifetime L80B50 (hours)	> 49,000
Optic	G		Weight	10.2 kg	Variants (DALI)

FOR-20031



Accessories



DALI Control System
Control-DALI