

**FORREY 14 (FOR-20032)**



**Product description**

Top Ø250 mm - With louver & opal diffuser



**Luminaire Structure**

- Die-cast aluminium housing
- Pre-treated before powder coating ensuring high corrosion resistance
- Extruded aluminium column
- Models with shade will have colour white coating at inside of shade luminaire and outside surface coating according to colour of luminaire

- Single cable entry
- One IP68 connector supplied with 0.2 m of 3x1.0 sqmm outdoor cable
- Stainless steel fasteners in grade 304 with zinc flake coating (ZFC)
- Durable silicone rubber gasket

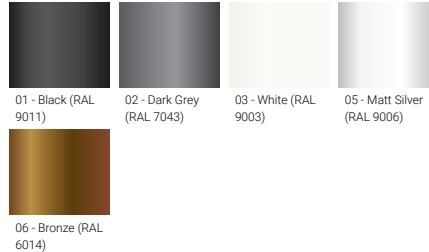
- Opal UV-stabilised polycarbonate diffuser
- Integral control gear
- FORREY luminaires with opal lens and colder than 3000K CCT do not meet the IDA certification requirements

**Optic**

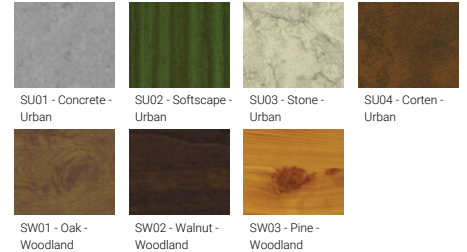


G

**Product colour**



**Special finishes upon request**

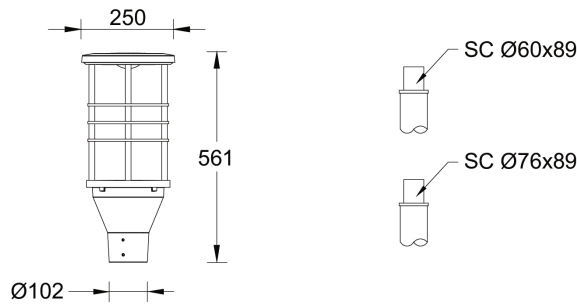


**FORREY 14 (FOR-20032)**

**Technical information**

<b>Material</b>	Aluminium	<b>Optic value</b>	360°	<b>Operating temperature</b>	-20 °C to 40 °C
<b>Light source</b>	160 LED	<b>CCT / CRI</b>	3000K CRI80, 4000K CRI80	<b>Cable</b>	One IP68 connector supplied with 0.2 m of 3x1.0 sqmm outdoor cable
<b>Power</b>	50.2 W	<b>Bug</b>	B1-U5-G3	<b>Through wiring</b>	Single cable entry
<b>Lumen</b>	3279 - 3526 lm	<b>ULR</b>	48%	<b>Lens / Reflector / Optic</b>	Opal UV-stabilised polycarbonate diffuser
<b>Efficacy</b>	65 - 70 lm/W	<b>ULOR</b>	48%	<b>MacAdam Ellipse</b>	3 SDCM
<b>Driver option</b>	Integral control gear	<b>CIE flux code n°3</b>	61	<b>Lifetime L90B10 (hours)</b>	> 23,000
<b>Driver</b>	Constant current (CC)	<b>Dimming type</b>	On/Off, 1-10V, DALI	<b>Lifetime L80B10 (hours)</b>	> 45,000
<b>Input voltage</b>	220-240 V 50/60 Hz	<b>Product colours</b>	Black, Dark Grey, White, Matt Silver, Bronze, Concrete - Urban, Softscape - Urban, Stone - Urban, Corten - Urban, Oak - Woodland, Walnut - Woodland, Pine - Woodland	<b>Lifetime L80B50 (hours)</b>	> 49,000
<b>Optic</b>	G		<b>Weight</b>	10.9 kg	<b>Variants (DALI)</b>

FOR-20032



**Accessories**



DALI Control System  
Control-DALI