

FORREY 22 (FOR-30022)



Product description

Ø250 - 707 mm - With louver



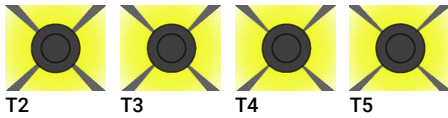
Luminaire Structure

- Die-cast aluminium housing and frame
- Pre-treated before powder coating ensuring high corrosion resistance
- Models with shade will have colour white coating at inside of shade luminaire and outside surface coating according to colour of luminaire
- Two cable entries for through wiring

- Stainless steel fasteners in grade 304 with zinc flake coating (ZFC)
- Durable silicone rubber gasket
- High-efficiency PMMA lens
- Integral control gear

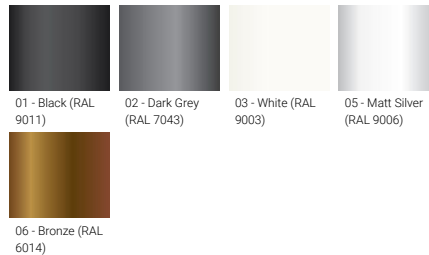
- FORREY luminaires with opal lens and colder than 3000K CCT do not meet the IDA certification requirements

Optic



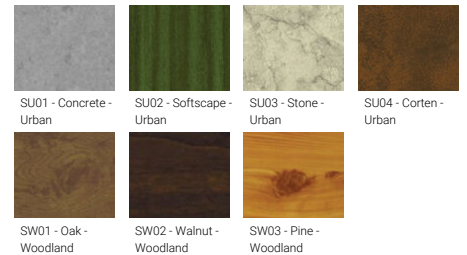
T2 T3 T4 T5

Product colour



01 - Black (RAL 9011) 02 - Dark Grey (RAL 7043) 03 - White (RAL 9003) 05 - Matt Silver (RAL 9006) 06 - Bronze (RAL 6014)

Special finishes upon request



SU01 - Concrete - Urban SU02 - Softscape - Urban SU03 - Stone - Urban SU04 - Corten - Urban SW01 - Oak - Woodland SW02 - Walnut - Woodland SW03 - Pine - Woodland

FORREY 22 (FOR-30022)

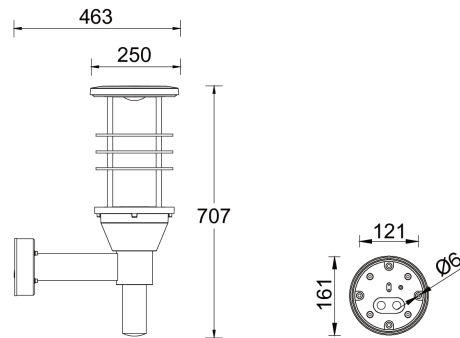
Technical information

Material	Aluminium
Light source	1 COB
Power	47.5 W
Lumen	3191 - 3711 lm
Efficacy	67 - 78 lm/W
Driver option	Integral control gear
Driver	Constant current (CC)
Input voltage	220-240 V 50/60 Hz

Optic	T2, T3, T4, T5
Optic value	140°x100°, 132°x103°, 137°x117°, 73°
CCT / CRI	3000K CRI80, 4000K CRI80
Dimming type	On/Off, 1-10V, DALI
Product colours	Black, Dark Grey, White, Matt Silver, Bronze, Concrete - Urban, Softscape - Urban, Stone - Urban, Corten - Urban, Oak - Woodland, Walnut - Woodland, Pine - Woodland
Weight	8.1 kg
Operating temperature	-20 °C to 40 °C
Through wiring	Two cable entries for through wiring

Lens / Reflector / Optic	High-efficiency PMMA lens
MacAdam Ellipse	3 SDCM
Lifetime L90B10 (hours)	> 50,700
Lifetime L80B10 (hours)	> 63,500
Lifetime L80B50 (hours)	> 63,500
Variants (DALI)	Compatible with EN/ IEC 60598-2-22: Suitable for emergency installations as central supply, non-maintained (Z0)

FOR-30022



Accessories



DALI Control System
Control-DALI