

**FORREY 19 (FOR-30041)**



**Product description**

Ø880 - 933 mm - With shade



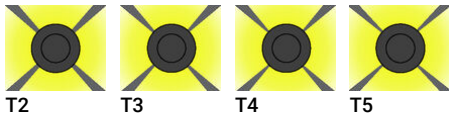
**Luminaire Structure**

- Die-cast aluminium housing and frame
- Pre-treated before powder coating ensuring high corrosion resistance
- Models with shade will have colour white coating at inside of shade luminaire and outside surface coating according to colour of luminaire
- Two cable entries for through wiring

- Stainless steel fasteners in grade 304 with zinc flake coating (ZFC)
- Durable silicone rubber gasket
- White coated aluminium reflector on the top of luminaire
- High-efficiency PMMA lens

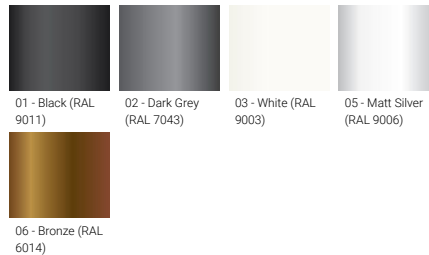
- Integral control gear
- FORREY luminaires with opal lens and colder than 3000K CCT do not meet the IDA certification requirements

**Optic**



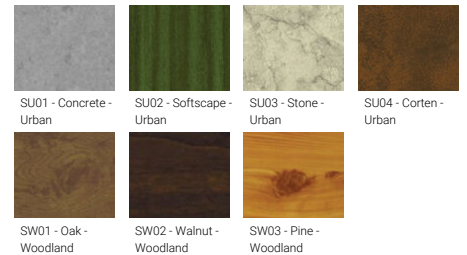
T2 T3 T4 T5

**Product colour**



01 - Black (RAL 9011) 02 - Dark Grey (RAL 7043) 03 - White (RAL 9003) 05 - Matt Silver (RAL 9006) 06 - Bronze (RAL 6014)

**Special finishes upon request**



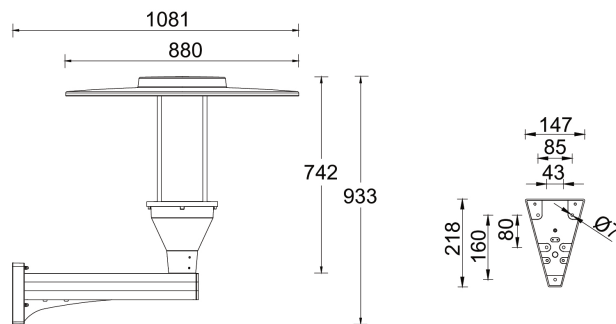
SU01 - Concrete - Urban SU02 - Softscape - Urban SU03 - Stone - Urban SU04 - Corten - Urban SW01 - Oak - Woodland SW02 - Walnut - Woodland SW03 - Pine - Woodland

**FORREY 19 (FOR-30041)**

**Technical information**

<b>Material</b>	Aluminium	<b>Optic value</b>	145°x87°, 141°x91°, 134°x118°, 145°	<b>Operating temperature</b>	-20 °C to 50 °C
<b>Light source</b>	1 COB	<b>CCT / CRI</b>	3000K CRI80, 4000K CRI80	<b>Through wiring</b>	Two cable entries for through wiring
<b>Power</b>	69.6 W	<b>Bug</b>	B3-U0-G1, B3-U0-G3	<b>Lens / Reflector / Optic</b>	White coated aluminium reflector on the top of luminaire, High-efficiency PMMA lens
<b>Lumen</b>	6476 - 7522 lm	<b>ULR</b>	0%	<b>MacAdam Ellipse</b>	3 SDCM
<b>Efficacy</b>	93 - 108 lm/W	<b>ULOR</b>	0%	<b>Lifetime L90B10 (hours)</b>	> 50,700
<b>Driver option</b>	Integral control gear	<b>CIE flux code n°3</b>	94, 96, 97	<b>Lifetime L80B10 (hours)</b>	> 63,500
<b>Driver</b>	Constant current (CC)	<b>Dimming type</b>	On/Off, 1-10V, DALI	<b>Lifetime L80B50 (hours)</b>	> 63,500
<b>Input voltage</b>	220-240 V 50/60 Hz	<b>Product colours</b>	Black, Dark Grey, White, Matt Silver, Bronze, Concrete - Urban, Softscape - Urban, Stone - Urban, Corten - Urban, Oak - Woodland, Walnut - Woodland, Pine - Woodland	<b>Variants (On/Off, 1-10V, DALI)</b>	Compatible with EN/ IEC 60598-2-22: Suitable for emergency installations as central supply, non-maintained (Z0)
<b>Optic</b>	T2, T3, T4, T5		<b>Weight</b>		

FOR-30041



**Accessories**



DALI Control System  
Control-DALI