

FORREY 26 (FOR-95002)



Product description

Ø660 - 1046 mm - With shade & louver



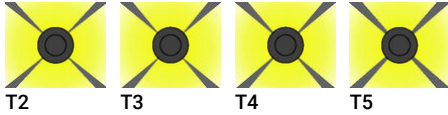
Luminaire Structure

- Die-cast aluminium housing and frame
- Pre-treated before powder coating ensuring high corrosion resistance
- Models with shade will have colour white coating at inside of shade luminaire and outside surface coating according to colour of luminaire
- Two cable entries for through wiring

- Stainless steel fasteners in grade 304 with zinc flake coating (ZFC)
- Durable silicone rubber gasket
- White coated aluminium reflector on the top of luminaire
- High-efficiency PMMA lens

- Integral control gear
- FORREY luminaires with opal lens and colder than 3000K CCT do not meet the IDA certification requirements

Optic



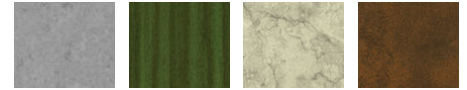
T2 T3 T4 T5

Product colour



01 - Black (RAL 9011) 02 - Dark Grey (RAL 7043) 03 - White (RAL 9003) 05 - Matt Silver (RAL 9006) 06 - Bronze (RAL 6014)

Special finishes upon request



SU01 - Concrete - Urban SU02 - Softscape - Urban SU03 - Stone - Urban SU04 - Corten - Urban

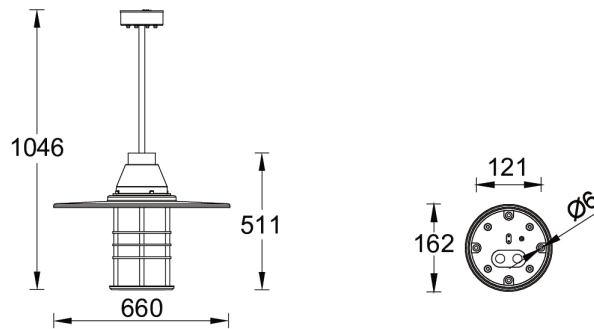
SW01 - Oak - Woodland SW02 - Walnut - Woodland SW03 - Pine - Woodland

FORREY 26 (FOR-95002)

Technical information

Material	Aluminium	Optic value	143°x84°, 141°x89°, 129°x115°, 143°	Operating temperature	-20 °C to 40 °C
Light source	1 COB	CCT / CRI	3000K CRI80, 4000K CRI80	Through wiring	Two cable entries for through wiring
Power	47.5 W	Bug	B2-U0-G2, B3-U0-G1	Lens / Reflector / Optic	White coated aluminium reflector on the top of luminaire, High-efficiency PMMA lens
Lumen	3413 - 3749 lm	ULR	0%	MacAdam Ellipse	3 SDCM
Efficacy	72 - 79 lm/W	ULOR	0%	Lifetime L90B10 (hours)	> 50,700
Driver option	Integral control gear	CIE flux code n°3	93, 94, 95, 96	Lifetime L80B10 (hours)	> 63,500
Driver	Constant current (CC)	Dimming type	On/Off, 1-10V, DALI	Lifetime L80B50 (hours)	> 63,500
Input voltage	220-240 V 50/60 Hz	Product colours	Black, Dark Grey, White, Matt Silver, Bronze, Concrete - Urban, Softscape - Urban, Stone - Urban, Corten - Urban, Oak - Woodland, Walnut - Woodland, Pine - Woodland	Variants (DALI)	Compatible with EN/ IEC 60598-2-22: Suitable for emergency installations as central supply, non-maintained (Z0)
Optic	T2, T3, T4, T5		Weight	9.0 kg	

FOR-95002



Accessories



DALI Control System
Control-DALI