

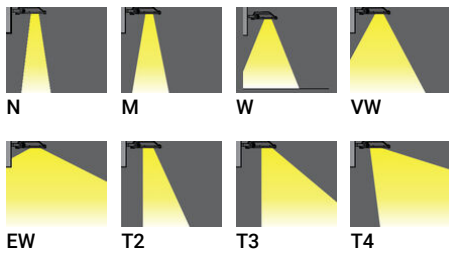
**GANDALF 22 (GA-31913)**



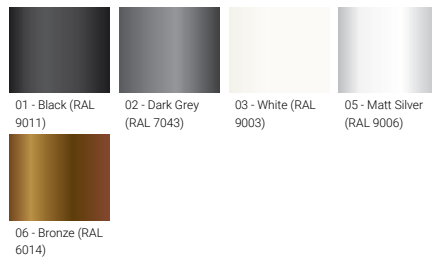
**Luminaire Structure**

- Die-cast aluminium housing
- Pre-treated before powder coating ensuring high corrosion resistance
- Two cable entries for through wiring
- Stainless steel fasteners in grade 304 with zinc flake coating (ZFC)
- Durable silicone rubber gasket
- High-efficiency PMMA lens
- Clear toughened glass
- Integral control gear

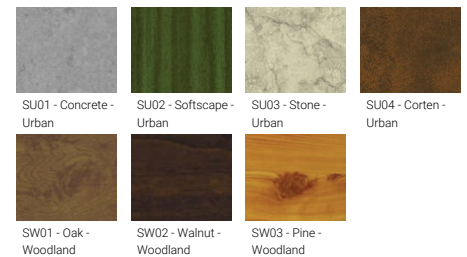
**Optic**



**Product colour**



**Special finishes upon request**



**GANDALF 22 (GA-31913)**

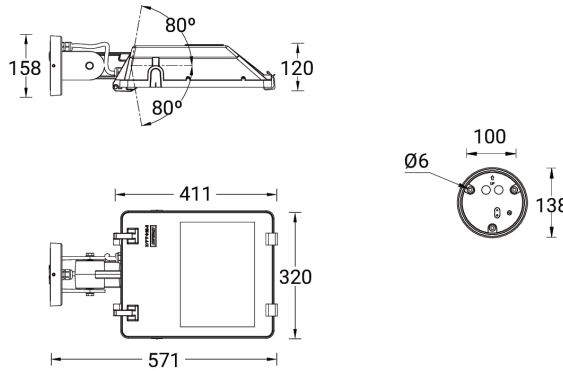
**Technical information**

<b>Material</b>	Aluminium
<b>Light source</b>	48 LED
<b>Power</b>	54 W
<b>Lumen</b>	4991 - 6736 lm
<b>Efficacy</b>	92 - 125 lm/W
<b>Driver option</b>	Integral control gear
<b>Driver</b>	Constant current (CC)
<b>Input voltage</b>	220-240 V 50/60 Hz
<b>Optic</b>	N, M, W, VW, EW, T2, T3, T4

<b>Optic value</b>	11°, 26°, 52°, 66°, 101°x114°, 140°x47°, 138°x64°, 99°x77°
<b>CCT / CRI</b>	3000K CRI80, 4000K CRI80
<b>Bug</b>	B1-U0-G1, B2-U0-G0, B2-U0-G2, B3-U0-G0, B3-U0-G1, B4-U0-G0
<b>ULR</b>	0%
<b>ULOR</b>	0%
<b>CIE flux code n°3</b>	100, 97, 98, 99
<b>Dimming type</b>	On/Off, 1-10V, DALI
<b>Product colours</b>	Black, Dark Grey, White, Matt Silver, Bronze, Concrete - Urban, Softscape - Urban, Stone - Urban, Corten - Urban, Oak - Woodland, Walnut - Woodland, Pine - Woodland
<b>Weight</b>	9.5 kg

<b>Operating temperature</b>	-20 °C to 40 °C
<b>Through wiring</b>	Two cable entries for through wiring
<b>Lens / Reflector / Optic</b>	High-efficiency PMMA lens, Clear toughened glass
<b>MacAdam Ellipse</b>	3 SDCM
<b>Lifetime L90B10 (hours)</b>	> 120,000, 90,000
<b>Lifetime L80B10 (hours)</b>	> 120,000, 90,000
<b>Lifetime L80B50 (hours)</b>	> 120,000, 90,000
<b>Variants (On/Off, 1-10V, DALI)</b>	Compatible with EN/ IEC 60598-2-22: Suitable for emergency installations as central supply, non-maintained (Z0)

GA-31913



**Accessories**

