

GANDALF 25 (GA-90255)



Product description

2 sides



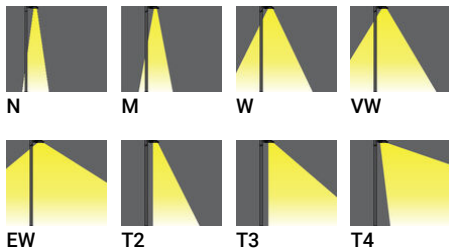
Luminaire Structure

- Die-cast aluminium housing
- Pre-treated before powder coating ensuring high corrosion resistance
- Single cable entry
- One cable gland supplied with 0.5 m of 3x1.0 sqmm outdoor cable

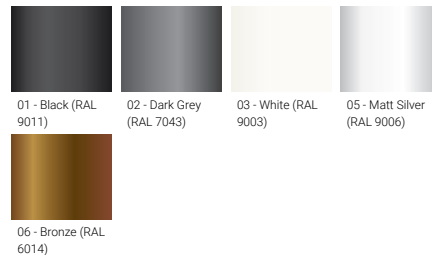
- Stainless steel fasteners in grade 304 with zinc flake coating (ZFC)
- Durable silicone rubber gasket
- Clear toughened glass
- High-efficiency polycarbonate lens

- Integral control gear
- Surge protection 10kV

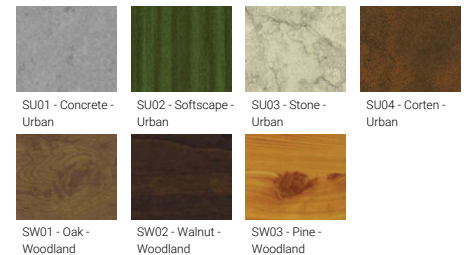
Optic



Product colour



Special finishes upon request



GANDALF 25 (GA-90255)

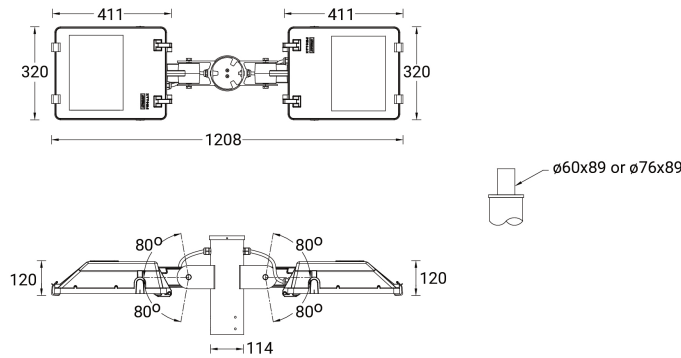
Technical information

Material	Aluminium
Light source	2 x 48 LED
Power	184 W
Lumen	15430 - 23434 lm
Efficacy	84 - 127 lm/W
Driver option	Integral control gear
Driver	Constant current (CC)
Input voltage	220-240 V 50/60 Hz
Optic	N, M, W, VW, EW, T2, T3, T4, ME

Optic value	11°, 30°, 57°, 64°, 108°, 138°x32°, 140°x63°, 128°x56°, 143°x42°
CCT / CRI	3000K CRI80, 4000K CRI80
Bug	B2-U0-G2, B3-U0-G0, B4-U0-G0, B5-U0-G0
ULR	0%
ULOR	0%
CIE flux code n°3	100, 97, 98, 99
Dimming type	On/Off, 1-10V, DALI
Product colours	Black, Dark Grey, White, Matt Silver, Bronze, Concrete - Urban, Softscape - Urban, Stone - Urban, Corten - Urban, Oak - Woodland, Walnut - Woodland, Pine - Woodland
Weight	17.5 kg

Operating temperature	-20 °C to 50 °C
Cable	One cable gland supplied with 0.5 m of 3x1.0 sqmm outdoor cable
Through wiring	Single cable entry
Lens / Reflector / Optic	Clear toughened glass, High-efficiency polycarbonate lens
MacAdam Ellipse	3 SDCM
Lifetime L90B10 (hours)	> 120,000, 90,000
Lifetime L80B10 (hours)	> 120,000, 90,000
Lifetime L80B50 (hours)	> 120,000, 90,000
Variants (On/Off, 1-10V, DALI)	Compatible with EN/ IEC 60598-2-22: Suitable for emergency installations as central supply, non-maintained (Z0)

GA-90255



Accessories



DALI Control System
Control-DALI