

GAVLE 3 (GAV-80141)



Product description

Down - 60x90 mm - 2500 mm



Luminaire Structure

- Extruded aluminium bended ring profile with powder coating
- Stainless steel fasteners in grade 316
- Steel brackets for ceiling down mounting option

- Opal PMMA diffuser (UGR <19) for glare control
- Up and down light distribution options
- Passive thermal management

- Integral control gear
- Remote driver is included for dimming type: 1-10V (-DI) for GAV-80101, GAV-80111, GAV-80121, GAV-80131, GAV-80141, GAV-80151, GAV-80161, GAV-80171, GAV-80201, GAV-80211, GAV-80221, GAV-80231, GAV-80241, GAV-80251, GAV-80261, GAV-80271
- Wireless control available through Bluetooth connection

Optic



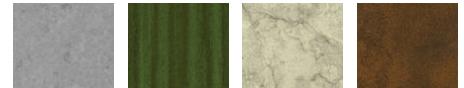
0

Product colour



01 - Black (RAL 9011) 03 - White (RAL 9003) 05 - Matt Silver (RAL 9006)

Special finishes upon request



SU01 - Concrete - Urban SU02 - Softscape - Urban SU03 - Stone - Urban SU04 - Corten - Urban



SW01 - Oak - Woodland SW02 - Walnut - Woodland SW03 - Pine - Woodland

GAVLE 3 (GAV-80141)

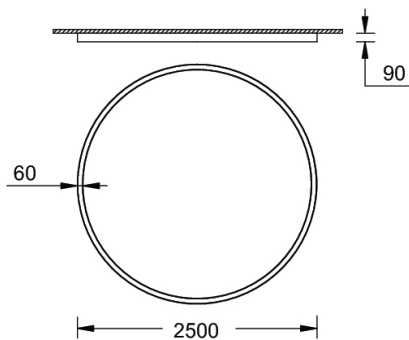
Technical information

Material	Aluminium
Light source	960 LED
Power	125 W
Lumen	12172 - 12705 lm
Efficacy	97 - 102 lm/W
Driver option	Integral control gear for On/Off (-ND), DALI (-DA). Remote driver is included for 1-10V (-DI)
Driver	Constant current (CC)

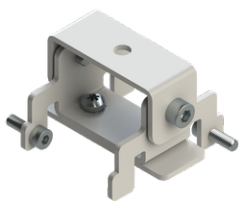
Input voltage	220-240 V 50/60 Hz
Optic	0
Optic value	102°
CCT / CRI	3000K CRI80, 4000K CRI80
Bug	B3-U1-G2
ULR	0%
ULOR	0%

CIE flux code n°3	96
Dimming type	On/Off, 1-10V, DALI
Product colours	Black, White, Matt Silver, Concrete - Urban, Softscape - Urban, Stone - Urban, Corten - Urban, Oak - Woodland, Walnut - Woodland, Pine - Woodland
Weight	20.5 kg
Operating temperature	-20 °C to 40 °C
Variants (1-10V, DALI)	Compatible with EN/ IEC 60598-2-22: Suitable for emergency installations as central supply, non-maintained (Z0)

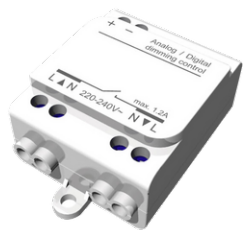
GAV-80141



Accessories



Ceiling-mounting bracket (40 mm profile)
A81381



Wireless bluetooth converter
A90291



Xpress wireless switch
A90591



DALI Control System
Control-DALI