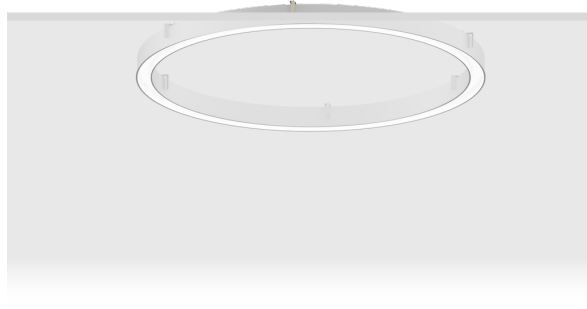


**GAVLE 2 (GAV-80372)**



**Product description**

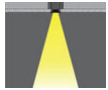
Down - 110x90 mm - 5000 mm - TW



**Luminaire Structure**

- Extruded aluminium bended profile with powder coating
- Stainless steel fasteners in grade 316
- Stainless steel brackets and screws for mounting
- Opal PMMA diffuser (UGR <19) for glare control
- Up and down light distribution options
- Passive thermal management
- Integral control gear
- Remote driver is included for dimming type: 1-10V (-DI) for GAV-80001, GAV-80011, GAV-80021, GAV-80031, GAV-80041, GAV-80051, GAV-80061, GAV-80071
- Wireless control available through Bluetooth connection
- Daylight and occupancy sensor options

**Optic**



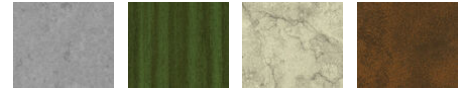
0

**Product colour**



01 - Black (RAL 9011)    03 - White (RAL 9003)    05 - Matt Silver (RAL 9006)

**Special finishes upon request**



SU01 - Concrete - Urban    SU02 - Softscape - Urban    SU03 - Stone - Urban    SU04 - Corten - Urban



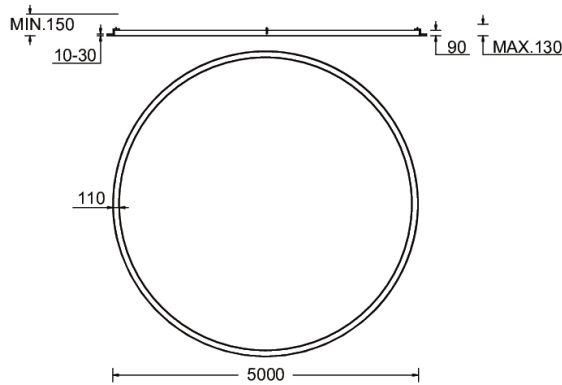
SW01 - Oak - Woodland    SW02 - Walnut - Woodland    SW03 - Pine - Woodland

**GAVLE 2 (GAV-80372)**

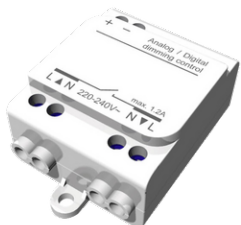
**Technical information**

<b>Material</b>	Aluminium	<b>Driver</b>	Constant current (CC)	<b>Product colours</b>	Black, White, Matt Silver, Concrete - Urban, Softscape - Urban, Stone - Urban, Corten - Urban, Oak - Woodland, Walnut - Woodland, Pine - Woodland
<b>Light source</b>	6912 LED	<b>Input voltage</b>	220-240 V 50/60 Hz	<b>Weight</b>	54.4 kg
<b>Power</b>	458 W	<b>Optic</b>	0	<b>Operating temperature</b>	-20 °C to 40 °C
<b>Lumen</b>	54163 lm	<b>Optic value</b>	102°	<b>Variants (DALI)</b>	Compatible with EN/ IEC 60598-2-22: Suitable for emergency installations as central supply, non-maintained (Z0)
<b>Efficacy</b>	118 lm/W	<b>CCT / CRI</b>	TW (2700K - 6500K)		
<b>Driver option</b>	Integral control gear	<b>Dimming type</b>	DALI		

GAV-80372



**Accessories**



Wireless bluetooth converter  
**A90291**



Xpress wireless switch  
**A90591**



DALI Control System  
**Control-DALI**