

GAVLE 4 (GAV-80451)



Product description

Down - 100x90 mm - 3000 mm



Luminaire Structure

- Extruded aluminium bended ring profile with powder coating
- Stainless steel fasteners in grade 316
- Steel brackets for ceiling down mounting option
- Opal PMMA diffuser (UGR <19) for glare control
- Up and down light distribution options
- Passive thermal management
- Integral control gear
- Remote driver is included for dimming type: 1-10V (-DI) for GAV-80101, GAV-80111, GAV-80121, GAV-80131, GAV-80141, GAV-80151, GAV-80161, GAV-80171, GAV-80201, GAV-80211, GAV-80221, GAV-80231, GAV-80241, GAV-80251, GAV-80261, GAV-80271
- Wireless control available through Bluetooth connection

Optic



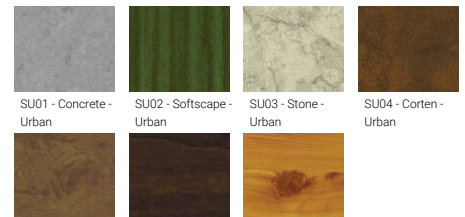
0

Product colour



01 - Black (RAL 9011) 03 - White (RAL 9003) 05 - Matt Silver (RAL 9006)

Special finishes upon request



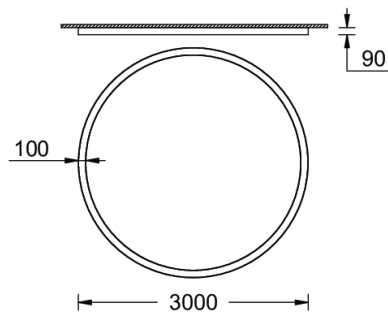
SU01 - Concrete - Urban SU02 - Softscape - Urban SU03 - Stone - Urban SU04 - Corten - Urban
 SW01 - Oak - Woodland SW02 - Walnut - Woodland SW03 - Pine - Woodland

GAVLE 4 (GAV-80451)

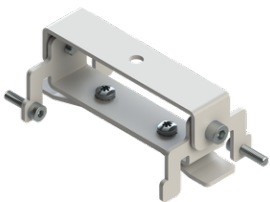
Technical information

Material	Aluminium	Driver	Constant current (CC)	Product colours	Black, White, Matt Silver, Concrete - Urban, Softscape - Urban, Stone - Urban, Corten - Urban, Oak - Woodland, Walnut - Woodland, Pine - Woodland
Light source	1920 LED	Input voltage	220-240 V 50/60 Hz	Weight	33.5 kg
Power	253 W	Optic	0	Operating temperature	-20 °C to 40 °C
Lumen	28221 - 29459 lm	Optic value	Opal	Variants (On/Off, 1-10V, DALI)	Compatible with EN/ IEC 60598-2-22: Suitable for emergency installations as central supply, non-maintained (Z0)
Efficacy	112 - 116 lm/W	CCT / CRI	3000K CRI80, 4000K CRI80		
Driver option	Integral control gear	Dimming type	On/Off, 1-10V, DALI		

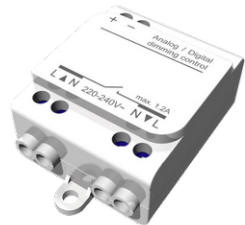
GAV-80451



Accessories



Ceiling-mounting bracket (60 mm profile)
A81481



Wireless bluetooth converter
A90291



Xpress wireless switch
A90591



DALI Control System
Control-DALI