

**GAVLE 4** (GAV-80562)



**Product description**

Down (Optic) & Up (Optic 2nd) - 100x100 mm - 4000 mm - TW



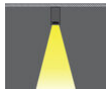
**Luminaire Structure**

- Extruded aluminium bended ring profile with powder coating
- Stainless steel fasteners in grade 316
- Steel brackets for ceiling down mounting option

- Opal PMMA diffuser (UGR <19) for glare control
- Up and down light distribution options
- Passive thermal management

- Integral control gear
- Remote driver is included for dimming type: 1-10V (-DI) for GAV-80101, GAV-80111, GAV-80121, GAV-80131, GAV-80141, GAV-80151, GAV-80161, GAV-80171, GAV-80201, GAV-80211, GAV-80221, GAV-80231, GAV-80241, GAV-80251, GAV-80261, GAV-80271
- Wireless control available through Bluetooth connection

**Optic**



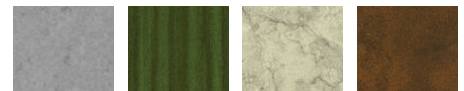
0

**Product colour**

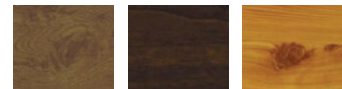


01 - Black (RAL 9011)    03 - White (RAL 9003)    05 - Matt Silver (RAL 9006)

**Special finishes upon request**



SU01 - Concrete - Urban    SU02 - Softscape - Urban    SU03 - Stone - Urban    SU04 - Corten - Urban



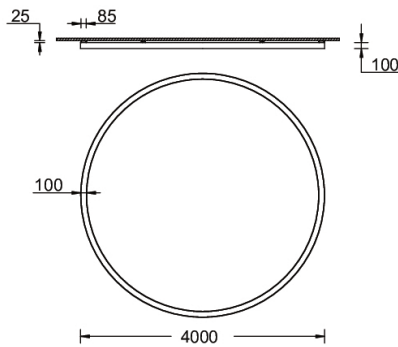
SW01 - Oak - Woodland    SW02 - Walnut - Woodland    SW03 - Pine - Woodland

**GAVLE 4 (GAV-80562)**

**Technical information**

<b>Material</b>	Aluminium	<b>Driver</b>	Constant current (CC)	<b>Product colours</b>	Black, White, Matt Silver, Concrete - Urban, Softscape - Urban, Stone - Urban, Corten - Urban, Oak - Woodland, Walnut - Woodland, Pine - Woodland
<b>Light source</b>	5376 & 5376 LED	<b>Input voltage</b>	220-240 V 50/60 Hz	<b>Weight</b>	51.3 kg
<b>Power</b>	690 W	<b>Optic</b>	0	<b>Operating temperature</b>	-20 °C to 40 °C
<b>Lumen</b>	84002 lm	<b>Optic value</b>	102°	<b>Variants (DALI)</b>	Compatible with EN/ IEC 60598-2-22: Suitable for emergency installations as central supply, non-maintained (Z0)
<b>Efficacy</b>	122 lm/W	<b>CCT / CRI</b>	TW (2700K - 6500K)		
<b>Driver option</b>	Integral control gear	<b>Dimming type</b>	DALI		

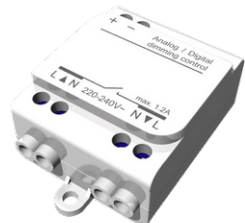
GAV-80562



**Accessories**



Xpress wireless switch  
**A90591**



Wireless bluetooth converter  
**A90291**



DALI Control System  
**Control-DALI**