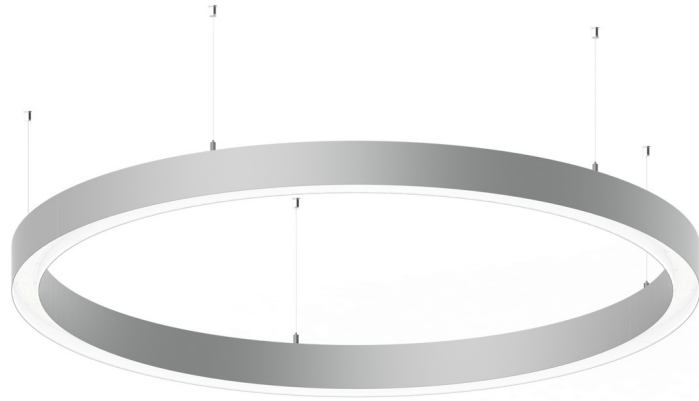


**GAVLE 5 (GAV-90171)**



**Product description**

Down (Optic) & Up (Optic 2nd) - 60x100 mm - 5000 mm



microPrim™

**Luminaire structure**

- Extruded aluminium bended profile with powder coating
- Passive thermal management
- Stainless steel fasteners in grade 304 with zinc flake coating (ZFC)
- Opal PMMA diffuser (UGR <19) for glare control
- Integral control gear for On/Off (-ND), DALI (-DA). Remote driver is included for 1-10V (-DI)
- Stainless steel, adjustable, suspension (1.5 m) complete with electrical wires in white for mounting
- Up and down light distribution options
- Wireless control available through Bluetooth connection
- Daylight and occupancy sensor options

**Optic**



O/O

**Product colour**



01 - Black (RAL 9011)    03 - White (RAL 9003)    05 - Matt Silver (RAL 9006)

**Special finishes upon request**



SU01 - Concrete - Urban    SU02 - Softscape - Urban    SU03 - Stone - Urban    SU04 - Corten - Urban



SW01 - Oak - Woodland    SW02 - Walnut - Woodland    SW03 - Pine - Woodland

**GAVLE 5 (GAV-90171)**

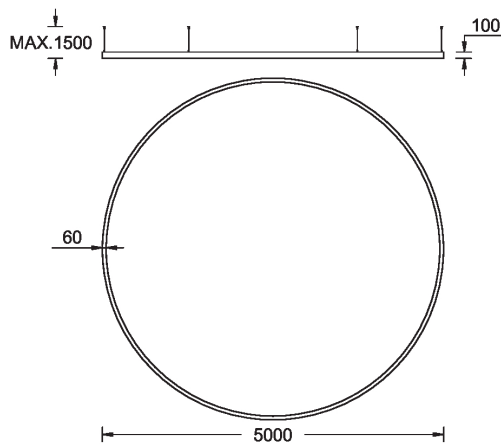
**Technical information**

<b>Material</b>	Aluminium
<b>Light source</b>	1920 & 1920 LED
<b>Power</b>	499 W
<b>Lumen</b>	50359 - 52567 lm
<b>Efficacy</b>	101 - 105 lm/W
<b>Driver option</b>	Integral control gear for On/Off (-ND), DALI (-DA). Remote driver is included for 1-10V (-DI)

<b>Driver</b>	Constant current (CC)
<b>Input voltage</b>	220-240 V 50/60 Hz
<b>Optic</b>	O
<b>Optic value</b>	Opal
<b>Optic (2nd)</b>	O
<b>Optic (2nd) value</b>	Opal

<b>CCT / CRI</b>	3000K CRI80, 4000K CRI80
<b>Dimming type</b>	On/Off, 1-10V, DALI
<b>Product colours</b>	Black, White, Matt Silver, Concrete - Urban, Softscape - Urban, Stone - Urban, Corten - Urban, Oak - Woodland, Walnut - Woodland, Pine - Woodland
<b>Weight</b>	49.0 kg
<b>Operating temperature</b>	-20 °C to 40 °C
<b>Variants (1-10V, DALI)</b>	Compatible with EN/ IEC 60598-2-22: Suitable for emergency installations as central supply, non-maintained (Z0)

GAV-90171



**GAVLE 5** (GAV-90171)**Accessory**

---



---

Supply cable surface mounting  
box  
**A80981**

---



---

Xpress wireless switch  
**A90591**

---



---

Wireless bluetooth converter  
**A90291**

---



---

DALI Control System  
**Control-DALI**

---