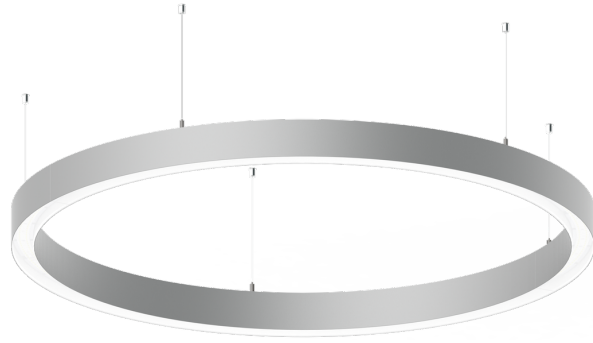


GAVLE 6 (GAV-90251)



Product description

Down - 100x90 mm - 3000 mm



Luminaire Structure

- Extruded aluminium bended profile with powder coating
- Stainless steel fasteners in grade 316
- Stainless steel, adjustable, suspension (1.5 m) complete with electrical wires in white for mounting
- Opal PMMA diffuser (UGR <19) for glare control

- Up and down light distribution options
- Passive thermal management
- Integral control gear
- Remote driver is included for dimming type: 1-10V (-DI) for GAV-90001, GAV-90011, GAV-90021, GAV-90031, GAV-90041, GAV-90051, GAV-90061, GAV-90071, GAV-90101, GAV-90111, GAV-90121, GAV-90131, GAV-90141, GAV-90151, GAV-90161, GAV-90171

- Wireless control available through Bluetooth connection
- Daylight and occupancy sensor options

Optic



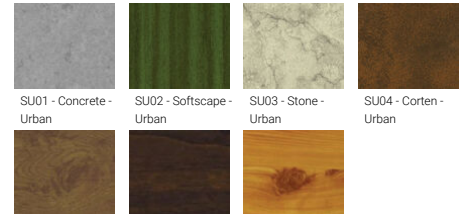
0

Product colour



01 - Black (RAL 9011) 03 - White (RAL 9003) 05 - Matt Silver (RAL 9006)

Special finishes upon request



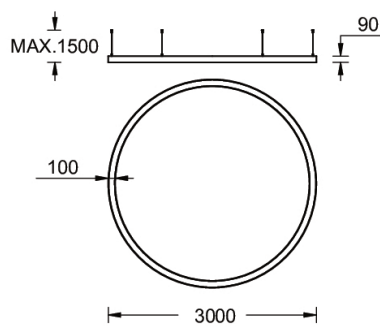
SU01 - Concrete - Urban SU02 - Softscape - Urban SU03 - Stone - Urban SU04 - Corten - Urban
SW01 - Oak - Woodland SW02 - Walnut - Woodland SW03 - Pine - Woodland

GAVLE 6 (GAV-90251)

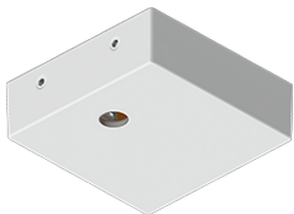
Technical information

Material	Aluminium	Driver	Constant current (CC)	Product colours	Black, White, Matt Silver, Concrete - Urban, Softscape - Urban, Stone - Urban, Corten - Urban, Oak - Woodland, Walnut - Woodland, Pine - Woodland
Light source	1920 LED	Input voltage	220-240 V 50/60 Hz	Weight	34.1 kg
Power	253 W	Optic	0	Operating temperature	-20 °C to 40 °C
Lumen	28221 - 29459 lm	Optic value	Opal	Variants (On/Off, 1-10V, DALI)	Compatible with EN/ IEC 60598-2-22: Suitable for emergency installations as central supply, non-maintained (Z0)
Efficacy	112 - 116 lm/W	CCT / CRI	3000K CRI80, 4000K CRI80		
Driver option	Integral control gear	Dimming type	On/Off, 1-10V, DALI		

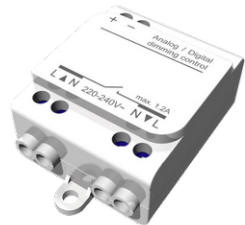
GAV-90251



Accessories



Supply cable surface mounting box
A80981



Wireless bluetooth converter
A90291



Xpress wireless switch
A90591



DALI Control System
Control-DALI