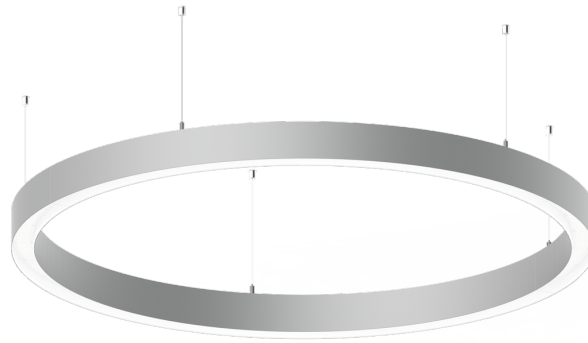


**GAVLE 6** (GAV-90351)



**Product description**

Down (Optic) & Up (Optic 2nd) - 100x100 mm - 3000 mm



**Luminaire Structure**

- Extruded aluminium bended profile with powder coating
- Stainless steel fasteners in grade 316
- Stainless steel, adjustable, suspension (1.5 m) complete with electrical wires in white for mounting
- Opal PMMA diffuser (UGR <19) for glare control

- Up and down light distribution options
- Passive thermal management
- Integral control gear
- Remote driver is included for dimming type: 1-10V (-DI) for GAV-90001, GAV-90011, GAV-90021, GAV-90031, GAV-90041, GAV-90051, GAV-90061, GAV-90071, GAV-90101, GAV-90111, GAV-90121, GAV-90131, GAV-90141, GAV-90151, GAV-90161, GAV-90171

- Wireless control available through Bluetooth connection
- Daylight and occupancy sensor options

**Optic**



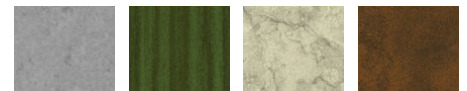
0 / 0

**Product colour**

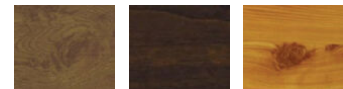


01 - Black (RAL 9011)    03 - White (RAL 9003)    05 - Matt Silver (RAL 9006)

**Special finishes upon request**



SU01 - Concrete - Urban    SU02 - Softscape - Urban    SU03 - Stone - Urban    SU04 - Corten - Urban



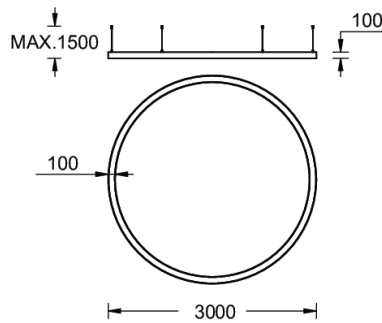
SW01 - Oak - Woodland    SW02 - Walnut - Woodland    SW03 - Pine - Woodland

**GAVLE 6 (GAV-90351)**

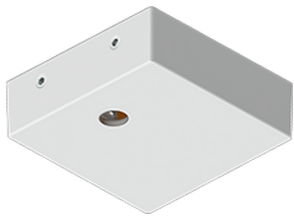
**Technical information**

<b>Material</b>	Aluminium	<b>Driver</b>	Constant current (CC)	<b>CCT / CRI</b>	3000K CRI80, 4000K CRI80
<b>Light source</b>	1920 & 1920 LED	<b>Input voltage</b>	220-240 V 50/60 Hz	<b>Dimming type</b>	On/Off, 1-10V, DALI
<b>Power</b>	505 W	<b>Optic</b>	O	<b>Product colours</b>	Black, White, Matt Silver, Concrete - Urban, Softscape - Urban, Stone - Urban, Corten - Urban, Oak - Woodland, Walnut - Woodland, Pine - Woodland
<b>Lumen</b>	57481 - 60002 lm	<b>Optic value</b>	Opal		
<b>Efficacy</b>	114 - 119 lm/W	<b>Optic (2nd)</b>	O		
<b>Driver option</b>	Integral control gear	<b>Optic (2nd) value</b>	Opal	<b>Weight</b>	38.2 kg
				<b>Operating temperature</b>	-20 °C to 40 °C
				<b>Variants (On/Off, 1-10V, DALI)</b>	Compatible with EN/ IEC 60598-2-22: Suitable for emergency installations as central supply, non-maintained (Z0)

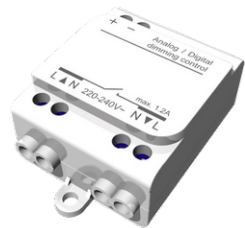
GAV-90351



**Accessories**



Supply cable surface mounting box  
**A80981**



Wireless bluetooth converter  
**A90291**



Xpress wireless switch  
**A90591**