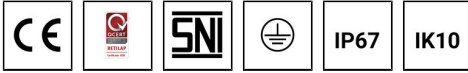


HARRIER 3 (HA-60050-A)



Product description

Integral control gear - With recessing box - Round - Aluminium frame



Luminaire Structure

- Die-cast aluminium housing
- Pre-treated before powder coating ensuring high corrosion resistance
- 6 mm thick front ring in grade 316 stainless steel or aluminium
- Single cable entry, through wiring upon request

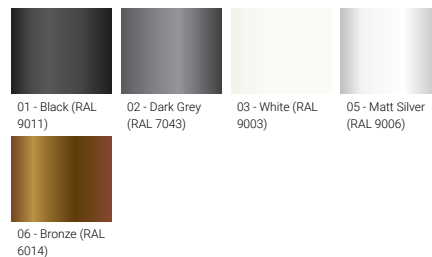
- Stainless steel fasteners in grade 304 with zinc flake coating (ZFC)
- Durable silicone rubber gasket
- Clear toughened glass
- High-efficiency PMMA lens

- Integral control gear
- Recessing box in high-density polyethylene is included
- Suitable for walk-over with a maximum load of 200 kg

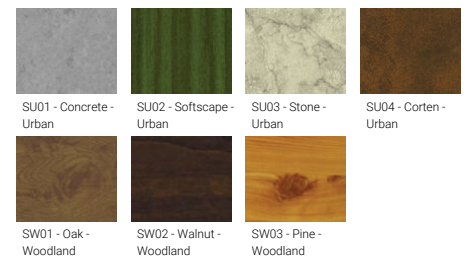
Optic



Product colour



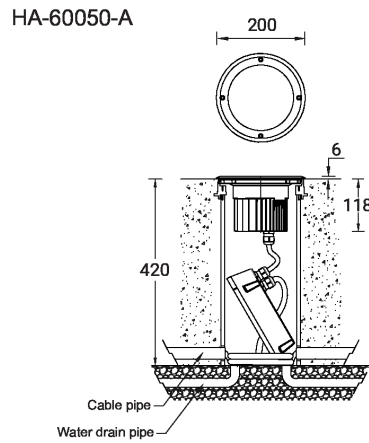
Special finishes upon request



HARRIER 3 (HA-60050-A)

Technical information

Material	Aluminium	Optic value	15°, 28°, 41°	Through wiring	Single cable entry, through wiring upon request
Light source	18 LED	CCT / CRI	3000K CRI80, 4000K CRI80	Lens / Reflector / Optic	Clear toughened glass, High-efficiency PMMA lens
Power	29 W	Bug	B0-U5-G0	MacAdam Ellipse	3 SDCM
Lumen	2387 - 2899 lm	ULOR	100%	Lifetime L90B10 (hours)	> 120,000
Efficacy	82 - 100 lm/W	CIE flux code n°3	0%	Lifetime L80B10 (hours)	> 120,000
Driver option	Integral control gear	Dimming type	On/Off, 1-10V, DALI	Lifetime L80B50 (hours)	> 120,000
Driver	Constant current (CC)	Product colours	Black, Dark Grey, White, Matt Silver, Bronze, Concrete - Urban, Softscape - Urban, Stone - Urban, Corten - Urban, Oak - Woodland, Walnut - Woodland, Pine - Woodland	Variants (1-10V)	Compatible with EN/ IEC 60598-2-22: Suitable for emergency installations as central supply, non-maintained (Z0)
Input voltage	220-240 V 50/60 Hz		Weight	2.4 kg	
Optic	N, M, W		Operating temperature	-20 °C to 50 °C	



Accessories



Connector IP68 3 Pin Power
A62591



Anti slip glass
A60212



DALI Control System
Control-DALI



Connector IP68 5 Pin Power + Signal
A613191