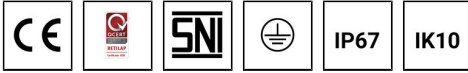


HARRIER 3 (HA-60050-S)**Product description**

Integral control gear - With recessing box - Round - Stainless steel frame

**Luminaire Structure**

- Die-cast aluminium housing
- Pre-treated before powder coating ensuring high corrosion resistance
- 6 mm thick front ring in grade 316 stainless steel or aluminium
- Single cable entry, through wiring upon request
- Stainless steel fasteners in grade 304 with zinc flake coating (ZFC)
- Durable silicone rubber gasket
- Clear toughened glass
- High-efficiency PMMA lens
- Integral control gear
- Recessing box in high-density polyethylene is included
- Suitable for walk-over with a maximum load of 200 kg

Optic**Product colour**

00 - Stainless Steel

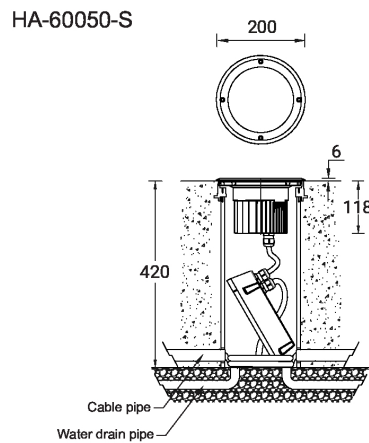
HARRIER 3 (HA-60050-S)

Technical information

Material	Stainless Steel
Light source	18 LED
Power	29 W
Lumen	2387 - 2899 lm
Efficacy	82 - 100 lm/W
Driver option	Integral control gear
Driver	Constant current (CC)
Input voltage	220-240 V 50/60 Hz
Optic	N, M, W

Optic value	15°, 28°, 41°
CCT / CRI	3000K CRI80, 4000K CRI80
Bug	B0-U5-G0
ULR	100%
ULOR	100%
Dimming type	On/Off, 1-10V, DALI
Product colours	Stainless Steel
Weight	2.6 kg
Operating temperature	-20 °C to 50 °C

Through wiring	Single cable entry, through wiring upon request
Lens / Reflector / Optic	Clear toughened glass, High-efficiency PMMA lens
MacAdam Ellipse	3 SDCM
Lifetime L90B10 (hours)	> 120,000
Lifetime L80B10 (hours)	> 120,000
Lifetime L80B50 (hours)	> 120,000
Variants (1-10V)	Compatible with EN/ IEC 60598-2-22: Suitable for emergency installations as central supply, non-maintained (Z0)



Accessories



Connector IP68 3 Pin Power
A62591



Anti slip glass
A60212



DALI Control System
Control-DALI



Connector IP68 5 Pin Power +
Signal
A613191